

# Model A-P3 (G065)

## PARTS CATALOG

First edition, October 2001

Ricoh Company, LTD.

**Model A-P3 (G065)**

**PARTS CATALOG**

This catalog gives the numbers and names of parts on this machine.

**CONTENTS**

Model A-P3	(G065)
PS430	(G520)
RT36	(A683)
SR720	(A681)
SR730/Punch Kit Type 450	(A697/A812)
CS360/Bridge Unit Type 460	(G909/G912)
Bridge Unit Type 1045	(B397)

**Model A-P3 (G065)**

## Model A-P3 (G065)

### PARTS CATALOG

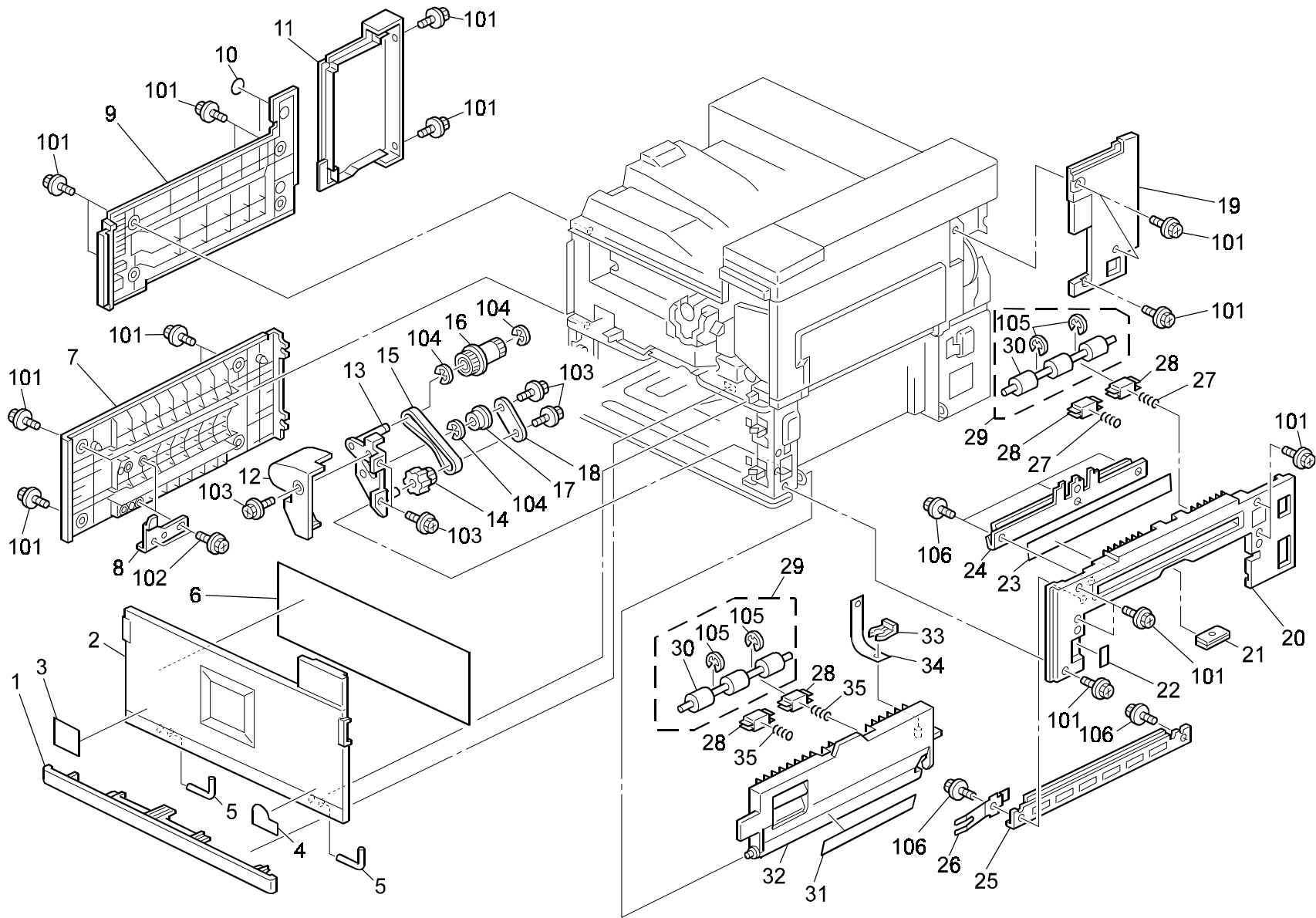
This catalog gives the numbers and names of parts on this machine.

#### CONTENTS

1.EXTERIOR 1 (G065).....	2	18.DUPLEX UNIT 1 (G065).....	36
2.EXTERIOR 2 (G065).....	4	19.DUPLEX UNIT 2 (G065).....	38
3.LASER UNIT (G065).....	6	20.DUPLEX UNIT 3 (G065).....	40
4.BY-PASS FEED SECTION 1 (G065).....	8	21.DRIVE SECTION 1 (G065).....	42
5.BY-PASS FEED SECTION 2 (G065).....	10	22.DRIVE SECTION 2 (G065).....	44
6.PAPER REGISTRATION 1 (G065).....	12	23.DRIVE SECTION 3 (G065).....	46
7.PAPER REGISTRATION 2 (G065).....	14	24.ELECTRICAL SECTION 1 (G065).....	48
8.PAPER TRAY UNIT (G065).....	16	25.ELECTRICAL SECTION 2 (G065).....	50
9.TONER HOPPER UNIT (G065).....	18	26.FRAME SECTION 1 (G065).....	52
10.PCU UNIT 1 (G065).....	20	27.FRAME SECTION 2 (G065).....	54
11.PCU UNIT 2 (G065).....	22	28.EXPANSION BOX/HDD (G065/G334).....	56
12.TRANSFER UNIT 1 (G065).....	24	29.IOB BOARD (G065).....	58
13.TRANSFER UNIT 2 (G065).....	26	30.BICU BOARD (G065).....	60
14.DEVELOPMENT UNIT (G065).....	28	31.CONTROLLER BOARD (G065).....	62
15.FUSING UNIT (G065).....	30	32.DECAL AND DOCUMENT (G065).....	64
16.PAPER SEPARATION 1 (G065).....	32	33.SPECIAL TOOLS (G065).....	66
17.PAPER SEPARATION 2 (G065).....	34	<b>PARTS INDEX.....</b>	<b>6</b>

October ,30 ' 2001

# 1.EXTERIOR 1 (G065)

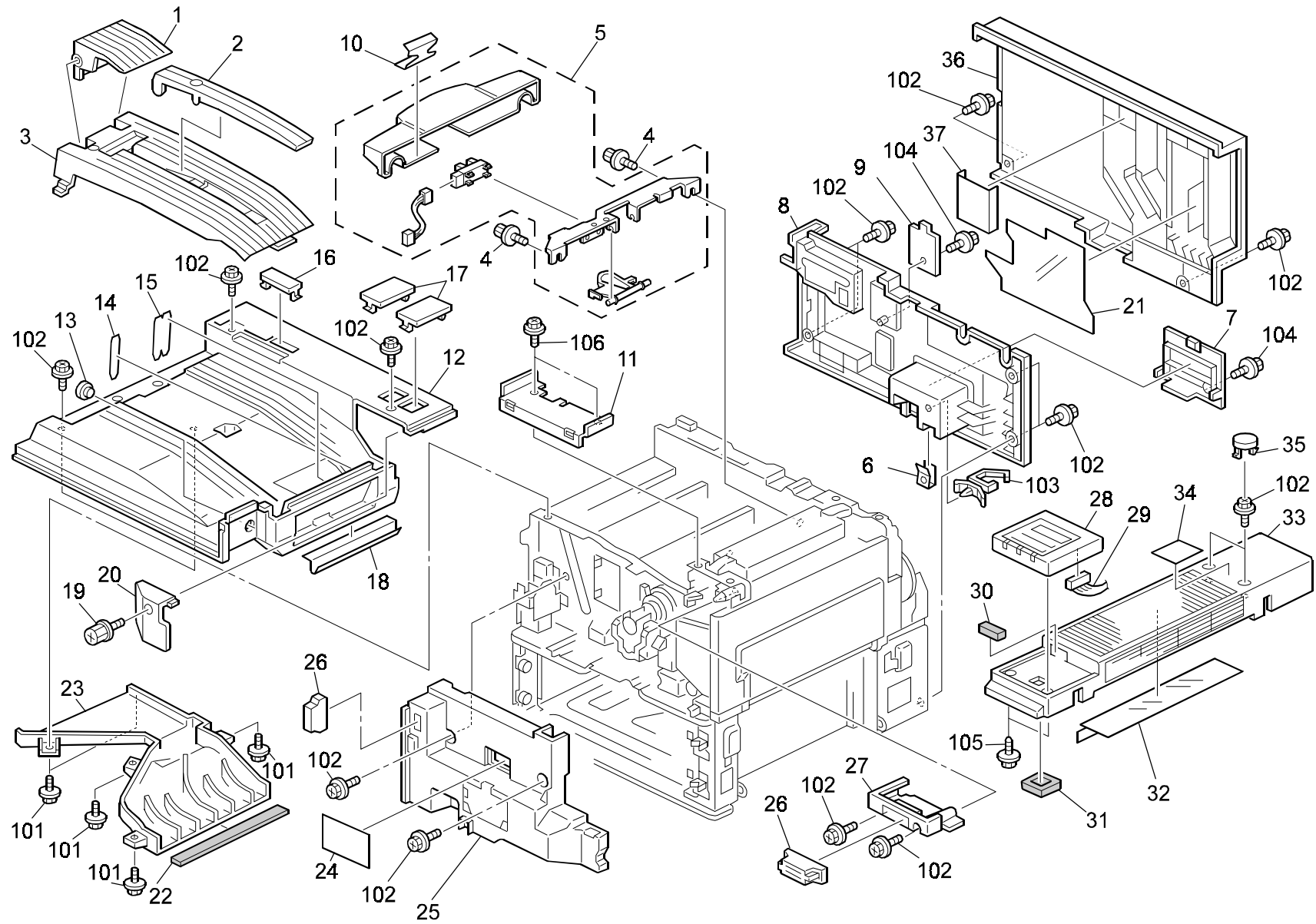


## 1.EXTERIOR 1 (G065)

Index No.	Part No.	Description	Q'ty Per Assembly
1	A230 1268	Upper Cover - Paper Feed	1
2	B004 1261	Front Cover Ass'y	1
3	G035 1382	Decal - Postscript	1
4	AA00 1389	Large Decal - Energy Star	1
5	G020 1332	Hinge - Front Cover	2
6	G065 1385	Operation Instruction Sheet	1
7	B004 1285	Left Cover-paper Feed Sub-unit	1
8	A232 1286	Stopper - Plate	1
9	B004 1281	Left Cover	1
10	G065 1383	Decal - Left - Adonis-P	2
11	G065 1283	Cover-left Rear	1
12	A232 2724	Knob Cover	1
13	A232 2720	Gear Bracket	1
14	A232 2722	Knob	1
15	AA04 3416	Timing Belt - 40S3M192	1
16	AB03 0584	Timing Pulley - 15T	1
17	AB03 0564	Pulley - M17	1
18	A232 2723	Support Plate - Knob	1
19	A232 1272	Right Rear Cover	1
20	A232 2857	Cover - Vertical Transport	1
21	AG07 0014	Magnet Catch	1
22	AA00 1392	Decal - A1	1
23	A232 2860	Entrance Seal	1
24	A232 2858	Upper Support Plate	1
25	A232 2859	Lower Support Plate	1
26	A232 5838	Spring Plate - BICU	1
27	AA06 3563	Spring	2
28	AA08 0254	Bushing - M4	4
29	A232 2862	Driven Roller	2
30	AF02 0409	Driven Roller	2
31	AA00 0204	Decal - Right Lower Cover	1
32	A232 2876	Lower Cover - Vertical Transport	1
33	5206 2686	Snap Ring	1
34	A232 2863	Stopper Band	1
35	AA06 3564	Tension Spring	2

Index No.	Part No.	Description	Q'ty Per Assembly
101	0451 3008H	Tapping Screw - M3x8	
102	0450 3012B	Tapping Screw -3x12	
103	0451 3006B	Tapping Screw - M3x6	
104	0720 0060E	Retaining Ring - M6	
105	0720 0030E	Retaining Ring - M3	
106	0450 3008B	Tapping Screw - M3x8	

## 2.EXTERIOR 2 (G065)



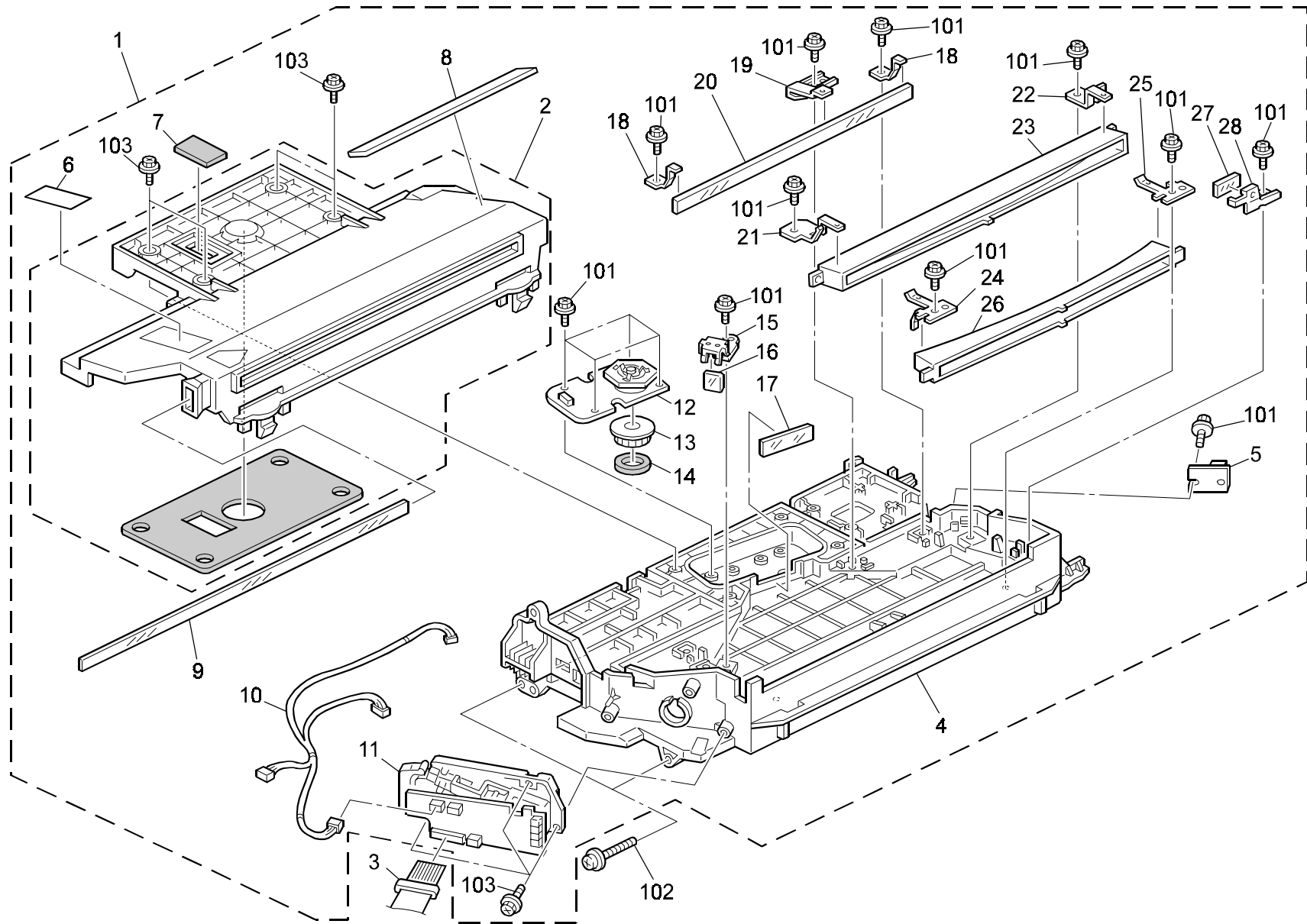
## 2.EXTERIOR 2 (G065)

Index No.	Part No.	Description	Q'ty Per Assembly
1	A232 4497	End Fence - Copy Tray	1
2	B004 4436	Copy Tray Guide	1
3	B004 4435	Sub Copy Tray	1
4	G034 4231	Flanged Hexagonal Head Bolt - M3x8	2
5	B007 4491	Paper Sensor	1
6	A232 1284	Spring Holder	1
7	B004 1297	Rear Cover - Paper Feed Sub-unit	1
8	B004 1296	Rear Cover - Paper Feed Sub-unit	1
9	B004 7222	Css Cover	1
10	G034 4497	Holder - Sensor Harness	1
11	G034 1413	Bracket - Operation Sub Unit	1
12	G034 1250	Cover - Upper	1
13	A232 1257	Cap - Upper Cover	1
14	A232 4499	Copy Tray Mylar	1
15	B004 4440	Middle Guide - Paper Exit	1
16	A232 1258	Cap - IC Card	1
17	A176 1317	Cap - 34x55	2
18	AA15 0685	Seal - 215x10	1
19	G034 2993	Flanged Hexagonal Head Bolt - M3x6	1
20	G034 1253	Cover - Small - Upper Right	1
21	G065 1173	Sheet - Duct	1
22	AA15 3390	Sponge - 202x3.5x4	1
23	A232 1252	Duct - Upper Cover	1
24	A232 1381	Decal - Total Counter	1
25	A284 1376	Inner Cover-left	1
26	AG07 1010	Magnet Catch	2
27	A284 1372	Inner Cover-upper	1
28	G065 1503	Operation Panel - NA	1
28	G065 1513	Operation Panel - EU	1
29	G065 1540	Harness - Operation Panel	1
30	G065 1583	Seal - Top Cover - Harness	1
31	G065 1582	Seal - Top Cover	1
32	G065 1581	Sheet - Top Cover	1
33	G065 1504	Top Cover	1
34	G034 1384	Decal - Paper Jam	1

Index No.	Part No.	Description	Q'ty Per Assembly
35	A176 1318	Cap - 16	1
36	B004 1291	Rear Cover	1
37	G065 1174	Sheet - Duct - Upper	1
101	0450 3006B	Tapping Screw - M3x6	
102	0451 3008H	Tapping Screw - M3x8	
103	1105 0487	Harness Clamp	
104	0450 3008H	Tapping Screw - M3x8	
105	0450 4010B	Tapping Screw - 4x10	
106	0451 3006B	Tapping Screw - M3x6	



### 3.LASER UNIT (G065)

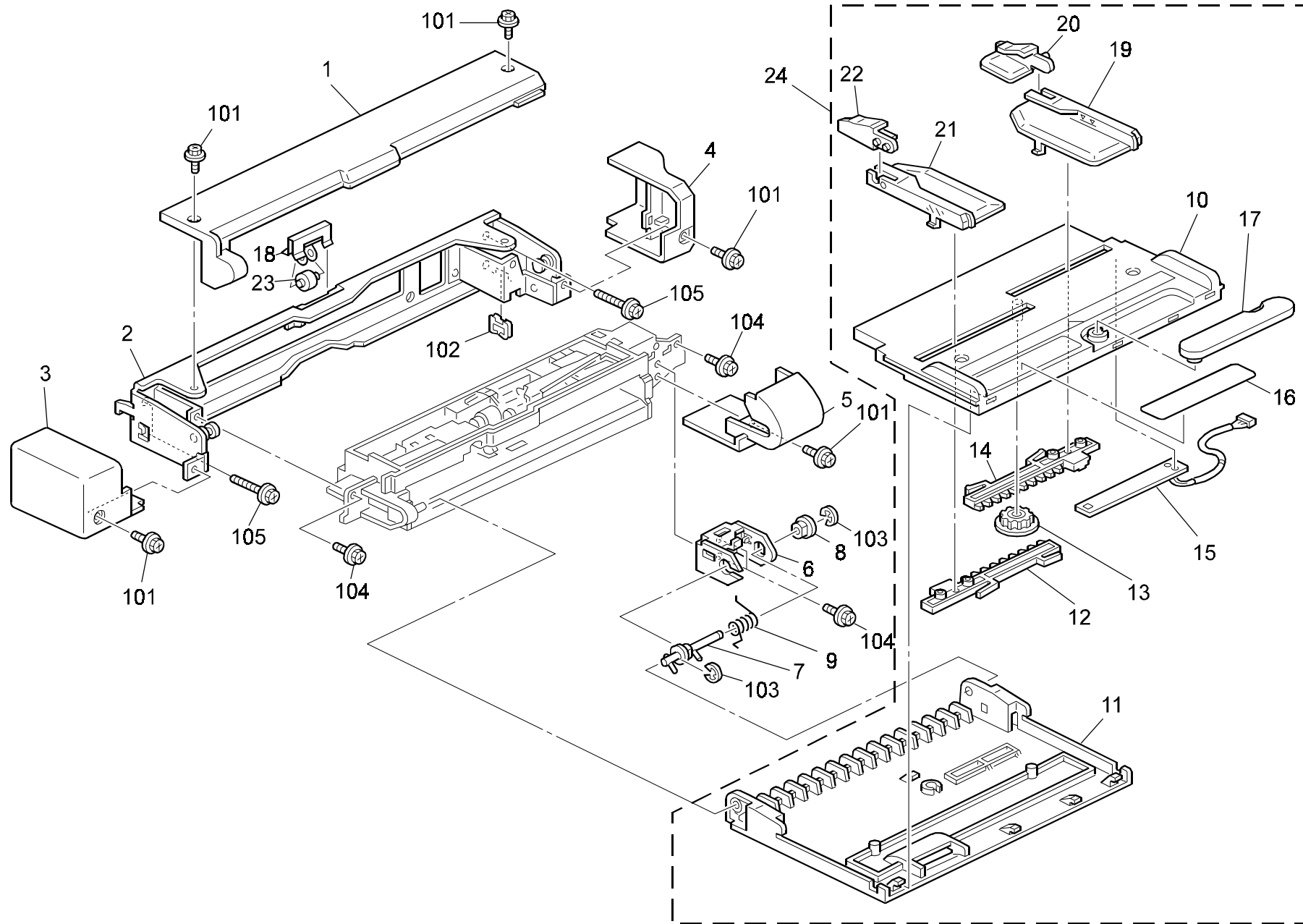


### 3.LASER UNIT (G065)

Index No.	Part No.	Description	Q'ty Per Assembly
1	B004 1873	Optical Housing Unit (NA)	1
1	B004 1877	Optical Housing Unit (EU)	1
2	A284 1904	Cover - Optical Housing	1
3	G065 5291	Harness - LD Unit	1
4	A232 1900	Housing - Laser Unit	1
5	A293 5310	Sync Detector Board	1
6	G029 1980	Decal - LD	1
7	A232 1904	Cap - Laser Unit Cover	1
8	A232 1971	Support Cover - Imaging Unit	1
9	AC01 5025	Shield Glass	1
10	A232 5444	Harness - Laser Unit	1
11	B004 1891	LD Unit	1
12	AX06 0180	Polygon Mirror Motor - DC 17W	1
13	A232 1918	Heat Sink - Polygon Motor	1
14	A232 1920	Decal - Heat Sink	1
15	A232 1927	Cylindrical Lens Holder	1
16	G020 1966	Cylindrical Lens	1
17	AC01 5024	Shield Glass - Polygon Motor	1
18	A232 1926	Mirror Holder	2
19	A232 1925	Middle Mirror Holder	1
20	AC03 0115	Mirror	1
21	A232 1923	Front Holder - BTL	1
22	A232 1924	Rear Holder - BTL	1
23	G020 1969	BTL Lens	1
24	A232 1921	Front Holder - F Theta Mirror	1
25	A232 1922	Rear Holder - F Theta Mirror	1
26	G020 1968	F Theta Mirror	1
27	GC03 0020	Sync. Detector Mirror	1
28	A232 1928	Holder - Sync. Detector Mirror	1

Index No.	Part No.	Description	Q'ty Per Assembly
101	0450 3008B	Tapping Screw - M3x8	
102	0951 3008B	Philips Screw With Flat Washer - M3x8	
103	0450 3010B	Tapping Screw - M3x10	

# 4. BY-PASS FEED SECTION 1 (G065)

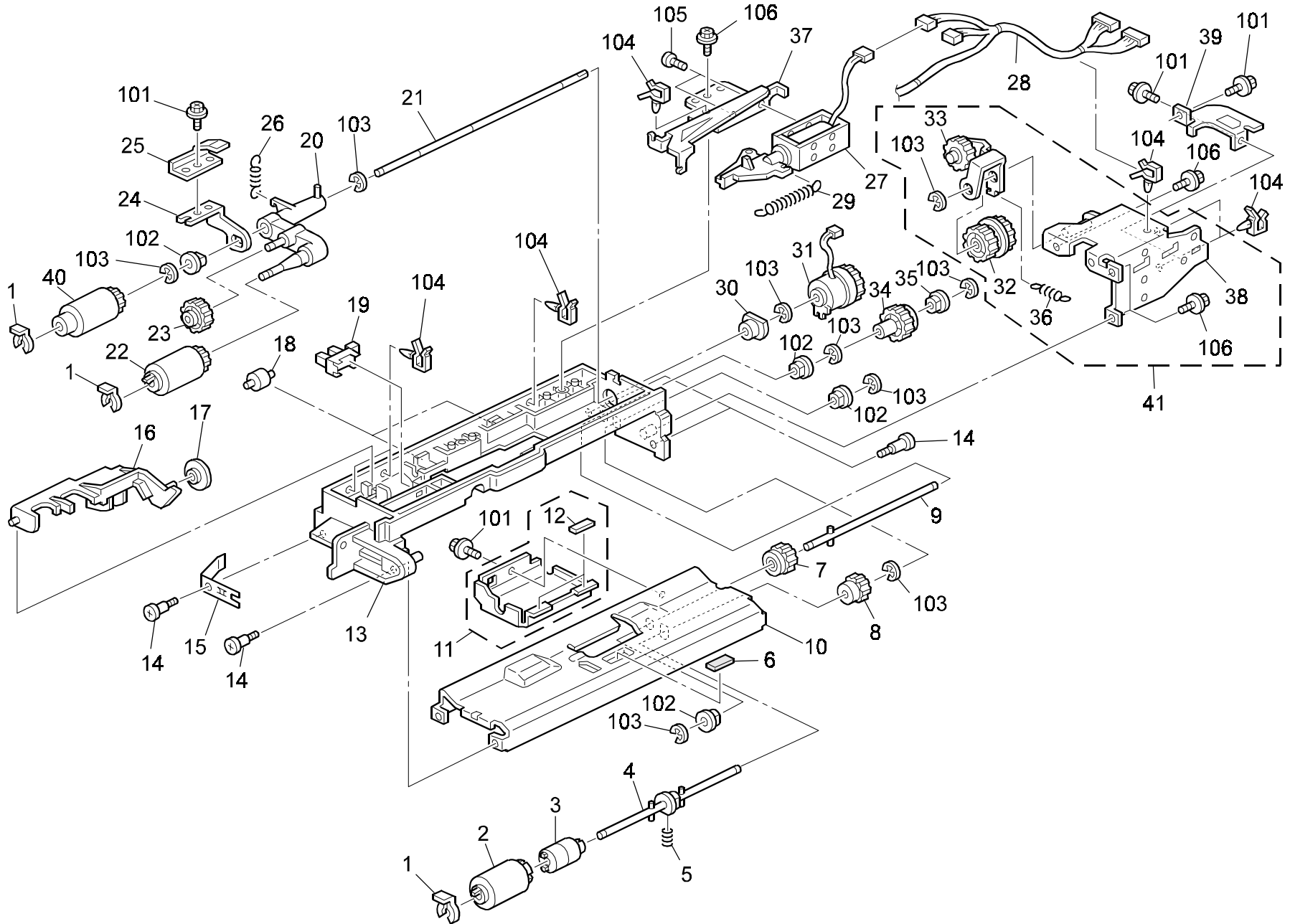


#### 4.BY-PASS FEED SECTION 1 (G065)

Index No.	Part No.	Description	Q'ty Per Assembly
1	A232 6106	Middle Lower Cover	1
2	A232 6095	Frame By-pass Unit Holder	1
3	A232 6109	Front Cover - By-pass Unit	1
4	A232 6108	Rear Cover - By-pass Unit	1
5	A232 6107	Middle Upper Cover	1
6	A232 6090	Bracket Positioning Pin	1
7	A232 6091	Positioning Pin	1
8	AA08 2070	Bushing - 8x16x7	1
9	AA06 6574	Torsion Spring	1
10	A232 6067	By-pass Feed Table	1
11	A232 6068	Cover By-pass Table	1
12	A232 6082	Front Rack	1
13	G011 3305	Gear - 16T	1
14	A232 6083	Rear Rack	1
15	A232 6080	Paper Size Detector	1
16	A232 6073	Decal - By-pass Feed	1
17	A232 6085	Guide By-pass Table	1
18	A232 6092	Roller - Holder	1
19	A232 6070	Rear Side Fence	1
20	A232 6072	Sub - Rear Fence	1
21	A232 6069	Front Side Fence	1
22	A232 6071	Sub - Front Fence	1
23	AF04 0559	Driven Roller - M9	1
24	A232 6009	By-pass Feed Table Ass'y	1

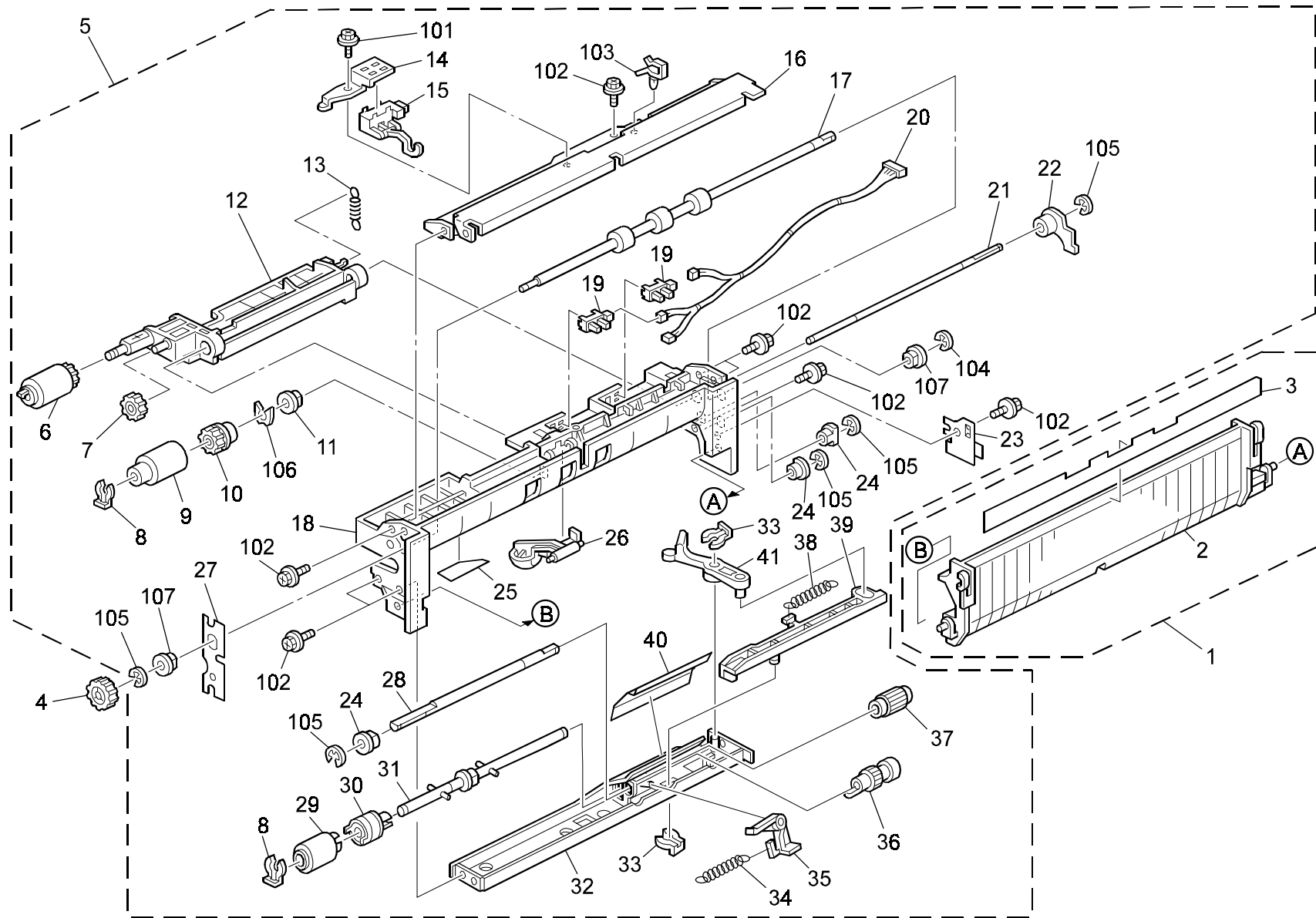
Index No.	Part No.	Description	Q'ty Per Assembly
101	0451 3008H	Tapping Screw - M3x8	
102	1105 0349	Edge Saddle	
103	0720 0060E	Retaining Ring - M6	
104	0451 3008B	Tapping Screw - M3x8	
105	0451 4010B	Tapping Screw - 4x10	

# 5.BY-PASS FEED SECTION 2 (G065)





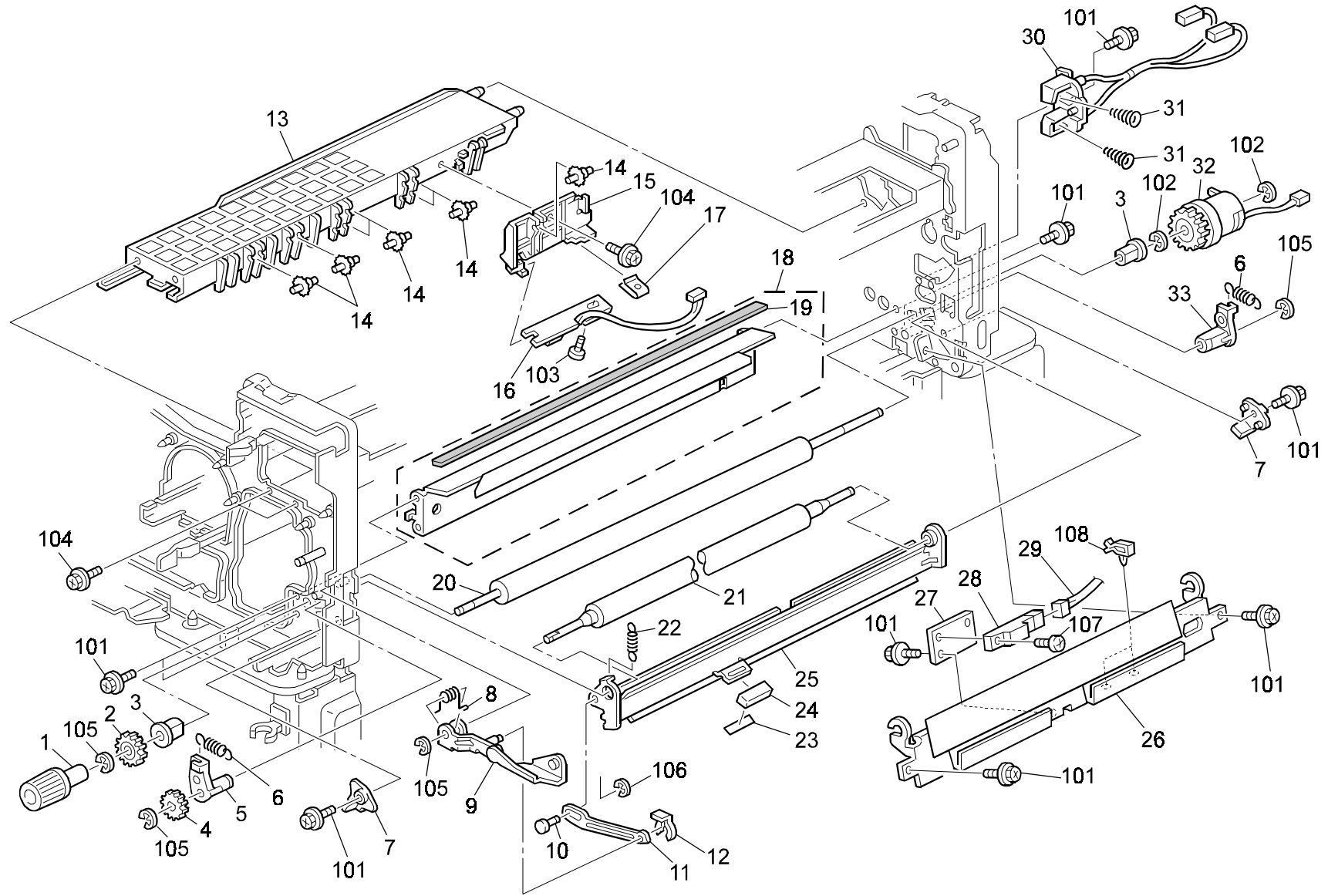
# 6.PAPER REGISTRATION 1 (G065)







# 7.PAPER REGISTRATION 2 (G065)

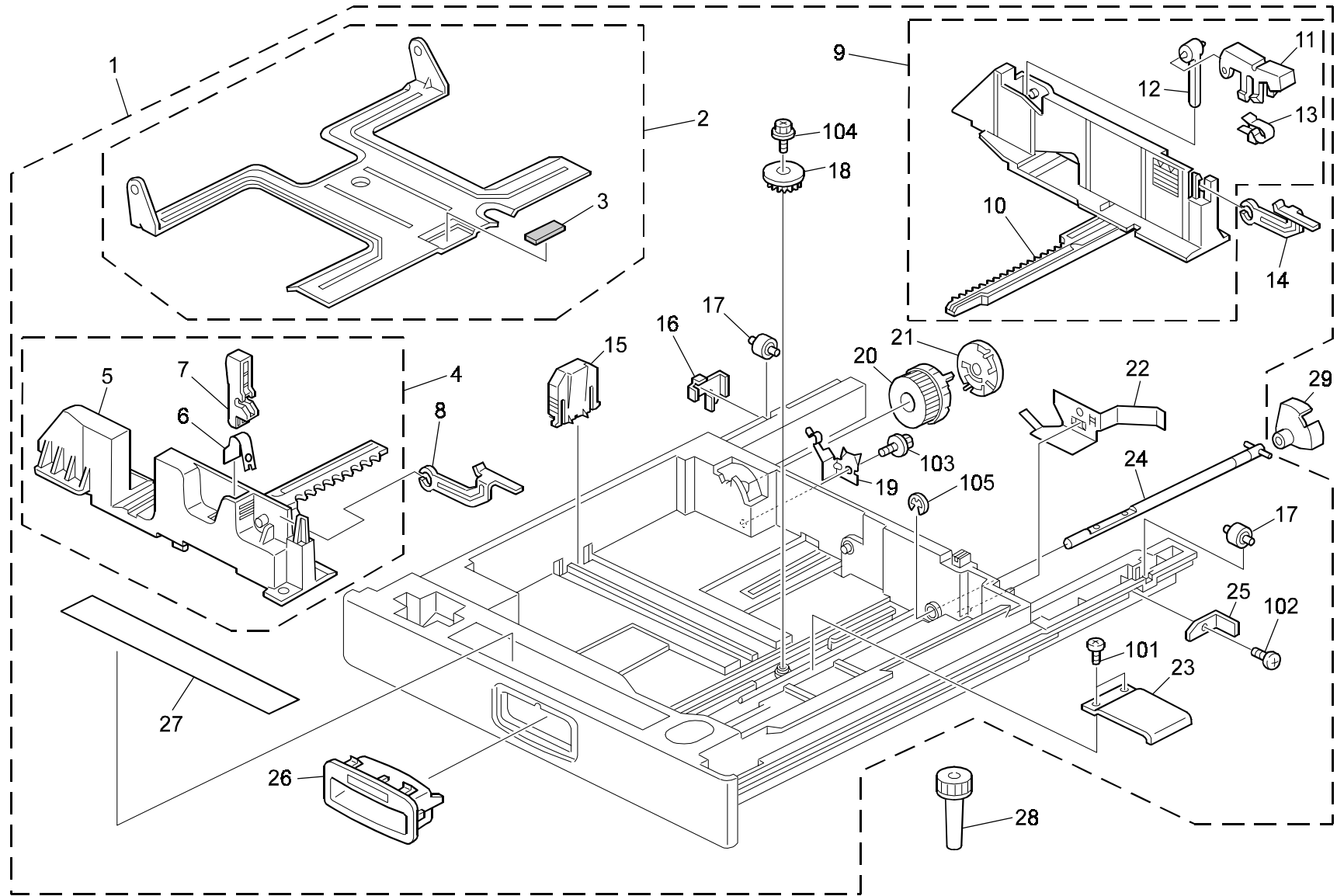


## 7.PAPER REGISTRATION 2 (G065)

Index No.	Part No.	Description	Q'ty Per Assembly
1	AG05 0085	Registration Roller Knob	1
2	AB01 3485	Gear - 20Z	1
3	AA08 2080	Bushing - M8	2
4	AB01 4051	Gear - 16Z	1
5	AA08 0229	Front Busing - M6	1
6	AA06 2304	Pressure Spring	2
7	A232 2578	Stopper - Guide Plate	2
8	AA06 6577	Torsion Spring	1
9	A232 3985	Link - Cover	1
10	AA14 9291	Pin - Link	1
11	A232 2596	Link Lever	1
12	5206 2686	Snap Ring	1
13	G065 2403	Supporter - PCU	1
14	B004 2310	Spur	7
15	G065 2406	Holder - ID Sensor	1
16	A232 2367	ID Sensor	1
17	A232 1284	Spring Holder	1
18	A232 1072	Lower Stay - PCU	1
19	AA15 3442	Shield - Stay - PCU	1
20	AF02 0410	Registration Roller	1
21	AF02 1059	Driven Registration Roller	1
22	AA06 2305	Tension Spring	1
23	AA00 1393	Decal - A2	1
24	B004 2575	Knob - Entrance Guide	1
25	A232 2574	Upper Entrance Guide	1
26	A232 2583	Lower Entrance Guide	1
27	A232 2594	Bracket - Registration Sensor	1
28	AW01 0048	Photosensor - GP2A28N1	1
29	A232 5420	Harness - Registration Sensor	1
30	AD02 1127	Receptacle	1
31	AA06 3304	Terminal Spring	2
32	AX20 0138	Electrical Clutch - MICE-13	1
33	AA08 0230	Rear Busing - M6	1

Index No.	Part No.	Description	Q'ty Per Assembly
101	0451 3006B	Tapping Screw - M3x6	
102	0720 0060E	Retaining Ring - M6	
103	0353 0060B	Philips Pan Head Screw - M3x6	
104	0450 3008B	Tapping Screw - M3x8	
105	0720 0040E	Retaining Ring - M4	
106	0720 0020E	Retaining Ring - M2	
107	0313 0060B	Philips Pan Head Screw - M3x6	
108	1105 0283	Clamp	

## 8.PAPER TRAY UNIT (G065)

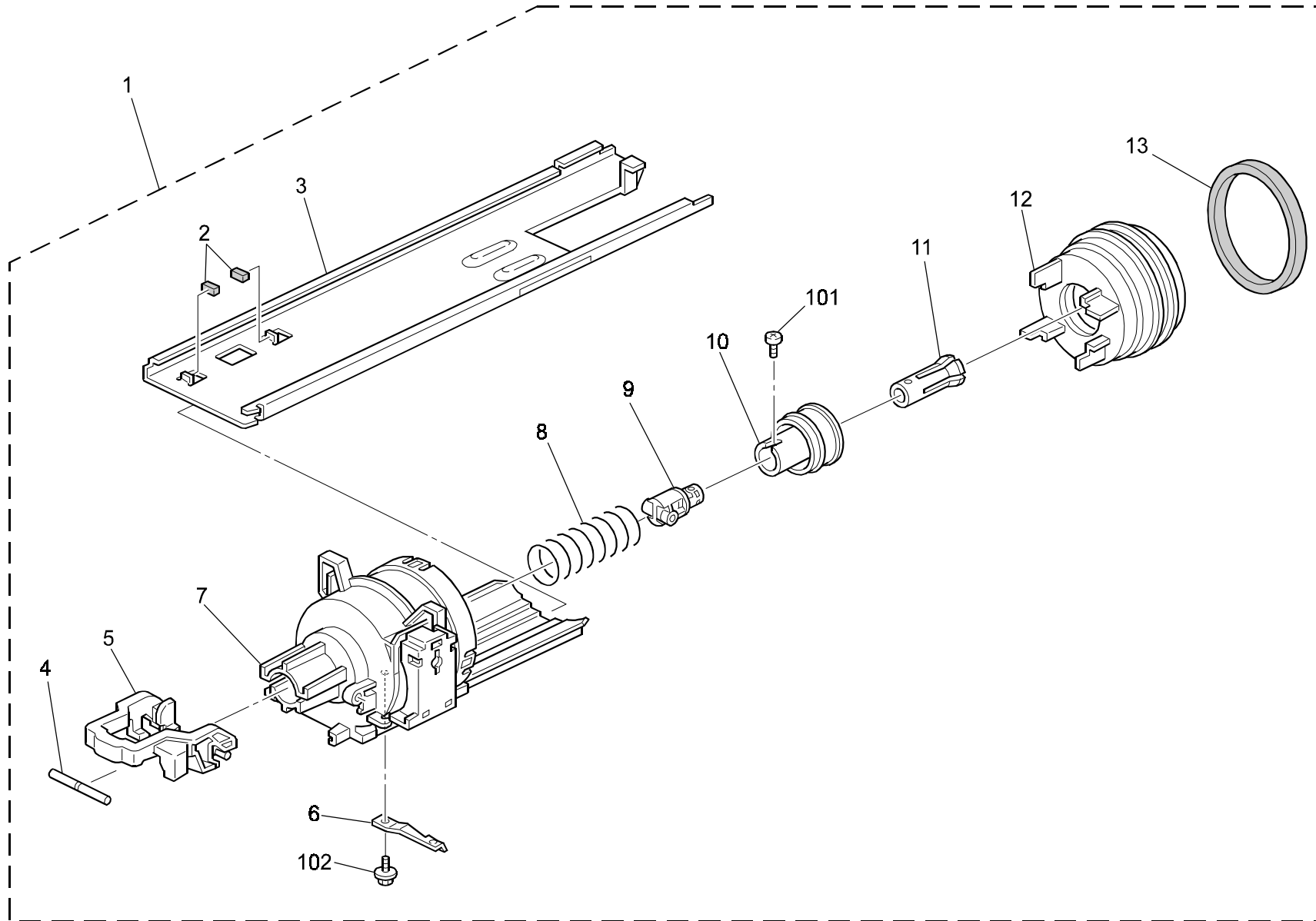


## 8.PAPER TRAY UNIT (G065)

Index No.	Part No.	Description	Q'ty Per Assembly
1	B004 2905	Universal Paper Tray (LT)	1
1	B004 2910	Universal Paper Tray (A4)	1
2	B004 2940	Bottom Plate	1
3	AF01 3006	Bottom Plate Pad	1
4	B004 2920	Front Side Fence	1
5	AF01 6166	Front Side Fence	1
6	B004 2923	Spring Plate - Release Lever	1
7	B004 2922	Release Lever - Side Fence	1
8	B004 2924	Paper Guide Plate - Front	1
9	B004 2930	Rear Side Fence	1
10	AF01 6167	Rear Side Fence	1
11	B004 2932	Rear Stopper Lever	1
12	B004 2933	Rear Stopper	1
13	B004 2934	Spring Plate - Lock Lever	1
14	B004 2935	Paper Guide Plate - Rear	1
15	AF01 7026	End Fence	1
16	B004 2952	Shoe- Left	1
17	A232 2987	Roller - Paper Tray	2
18	B004 2936	Gear - 16Z	1
19	B004 2947	Spring Plate-paper Size Sensor	1
20	B004 2954	Paper Size Dial (LT)	1
20	B004 2955	Paper Size Dial (A4)	1
21	B004 2948	Paper Size Sensor	1
22	B004 2943	Grounding Plate - Paper Tray	1
23	A232 2975	Bottom Lift Plate	1
24	B004 2915	Bottom Lift Shaft	1
25	B004 2951	Stopper-right	1
26	B004 2988	Handle - Paper Tray	1
27	AA00 3007	Decal- Paper Set Direction	1
28	G034 2987	Socket	1
29	A235 2979	Feeler - Paper Height Sensor	1

Index No.	Part No.	Description	Q'ty Per Assembly
101	0353 0060B	Philips Pan Head Screw - M3x6	
102	0452 3008B	Tapping Screw - M3x8	
103	0450 4008B	Tapping Screw - 4x8	
104	0450 3008B	Tapping Screw - M3x8	
105	0720 0060E	Retaining Ring - M6	

# 9.TONER HOPPER UNIT (G065)

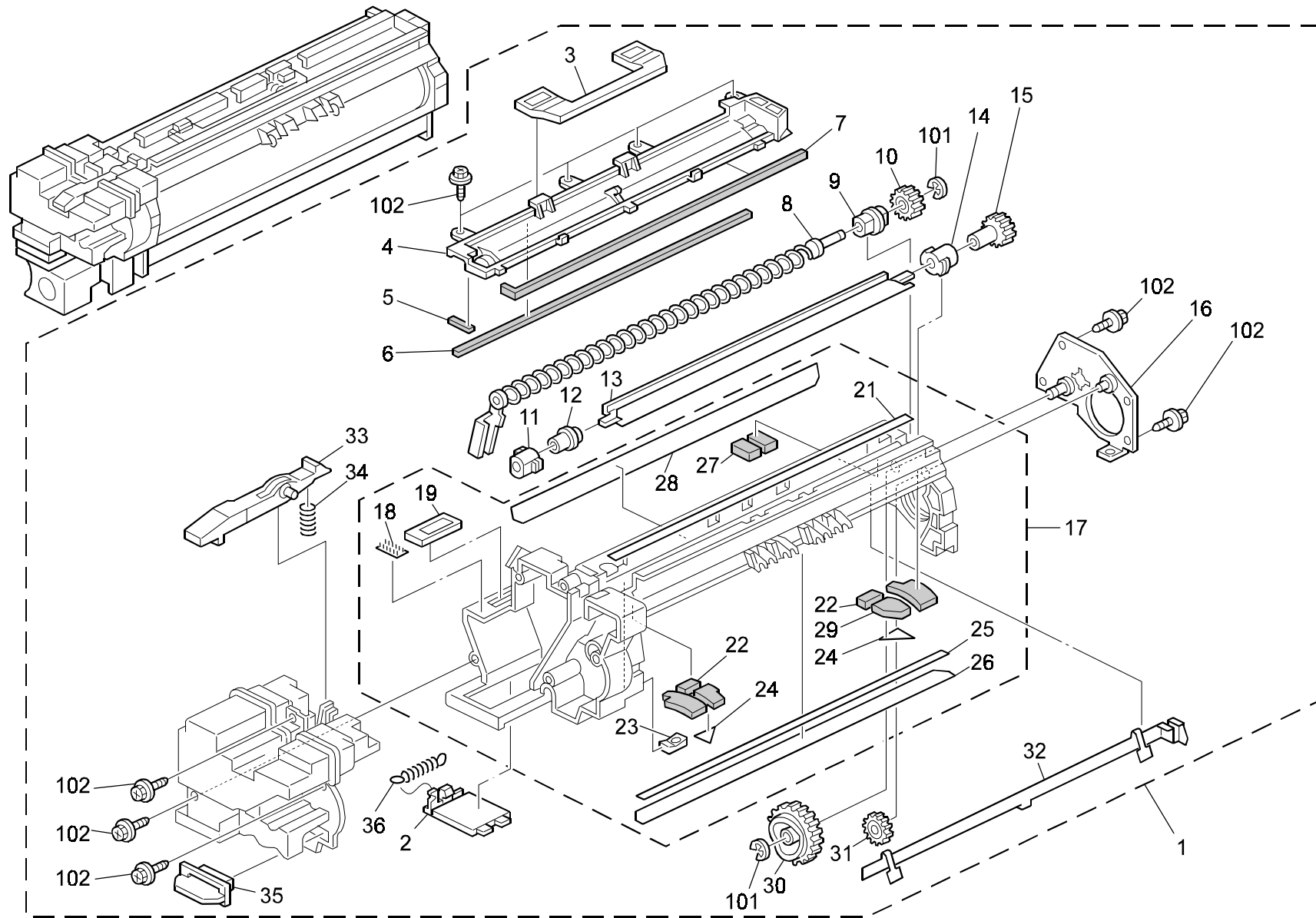


## 9.TONER HOPPER UNIT (G065)

Index No.	Part No.	Description	Q'ty Per Assembly
1	B004 3208	Toner Supply Unit	1
2	A232 3266	Seal - Slide Rail	2
3	B004 3262	Slide Rail-toner Supply	1
4	AA14 5810	Slide Shaft	1
5	A232 3261	Handle - Toner Supply	1
6	A232 3263	Spring Plate - Toner Bottle	1
7	A232 3230	Case - Toner Supply Ass'y	1
8	AA06 3623	Pressure Spring	1
9	A232 3251	Chuck Shaft	1
10	A232 3252	Slider Ass'y	1
11	A134 3180	Bottle Chuck	1
12	A232 3240	Cover- Toner Bottle Ass'y	1
13	AA15 3083	Seal - Toner Supply Unit Cover	1

Index No.	Part No.	Description	Q'ty Per Assembly
101	0452 3010B	Tapping Bind Screw - M3x10	
102	0450 3008B	Tapping Screw - M3x8	

# 10.PCU UNIT 1 (G065)



## 10.PCU UNIT 1 (G065)

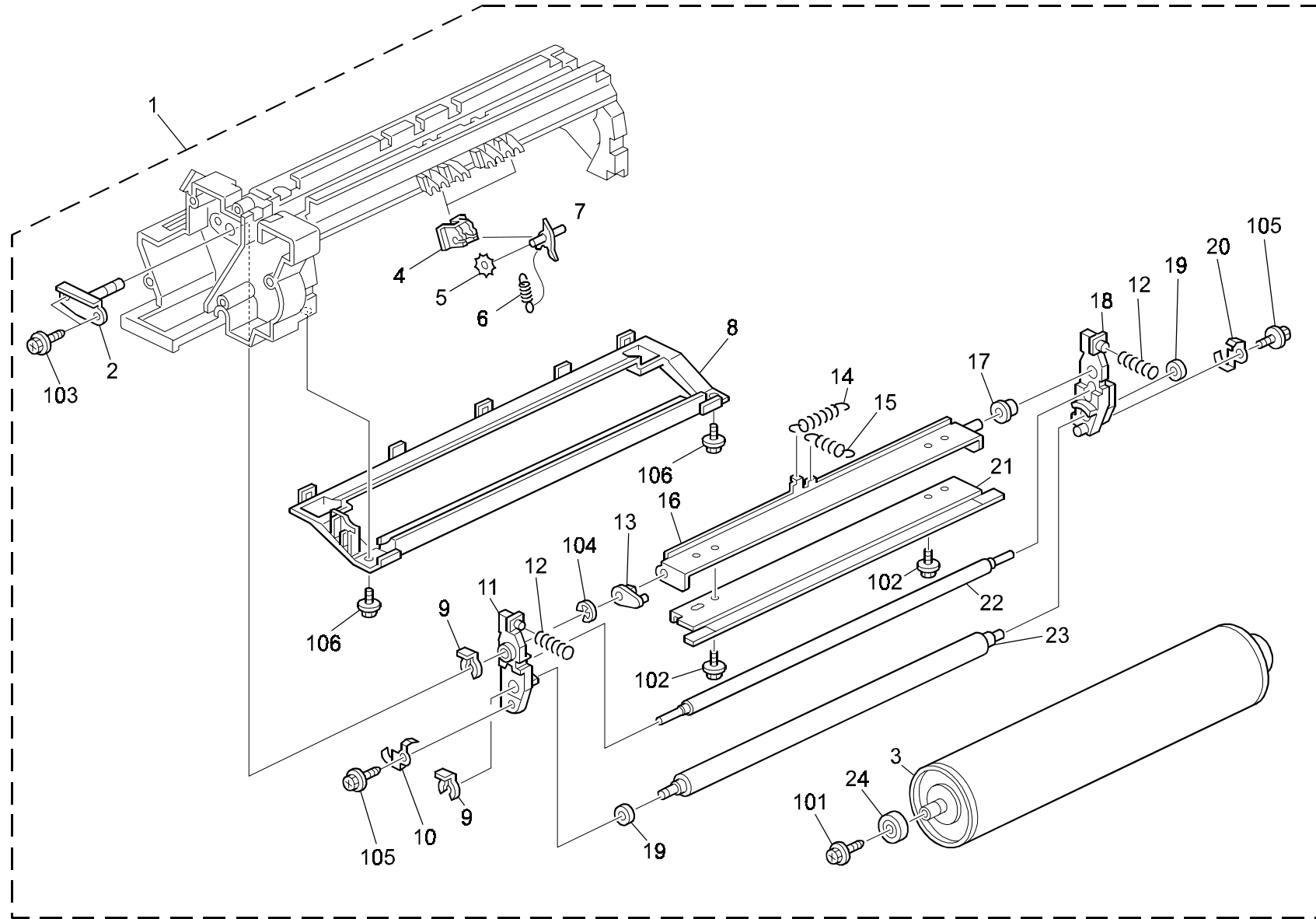
Index No.	Part No.	Description	Q'ty Per Assembly
1	G065 2202	PCU	1
2	G065 2241	Shutter - Toner Supply	1
3	G065 2259	Handle - PCU	1
4	G065 2252	Cover - Cleaning Unit	1
5	B004 2212	Front Seal - Cleaning Cover	1
6	A232 2419	Left Seal - Cleaning Cover	1
7	A232 2420	Right Seal - Cleaning Cover	1
8	AD04 3050	Toner Collection Coil	1
9	A232 2292	Bushing - Toner Collection Coil	1
10	AB01 1377	Gear - 14Z	1
11	A232 2289	Front Bushing - Collection Mylar	1
12	A232 2288	Shaft - Toner Collection Mylar	1
13	AD04 4000	Toner Collection Mylar	1
14	A232 2290	Bushing - Collection Mylar	1
15	AB01 1378	Gear - 19Z	1
16	G065 2290	Idler Bracket	1
17	G065 2220	Upper Frame - PCU	1
18	A232 3267	Front Entrance Seal - Toner Supply	1
19	A232 2279	Entrance Seal - Toner Supply	1
20	A232 2414	Seal - 2x20x45	1
21	AA15 0671	Shield - Collection Coil	1
22	A232 2348	Seal - Blade 12x7x3	2
23	A232 1284	Spring Holder	1
24	A232 2350	Seal - Entrance	2
25	A232 2280	Tape - Entrance Seal	1
26	AD04 7023	Cleaning Entrance Seal	1
27	A232 2399	Seal - Blade 13x9.5x3	2
28	A232 2401	Shield - Blade - Upper	1
29	B004 2215	Entrance Seal - Toner Supply	1
30	AB01 1380	Cam - Cleaning Blade	1
31	AB01 1379	Gear - 19Z	1
32	G065 2270	Receptacle - Charge Roller	1
33	G065 2217	PCU Stopper	1
34	AA06 3646	Pressure Spring - PCU Stopper	1
35	A232 2328	Cap - Toner Supply	1

Index No.	Part No.	Description	Q'ty Per Assembly
36	AA06 2316	Tension Spring - Shutter	1
101	0720 0040E	Retaining Ring - M4	
102	0450 3008B	Tapping Screw - M3x8	





# 11.PCU UNIT 2 (G065)

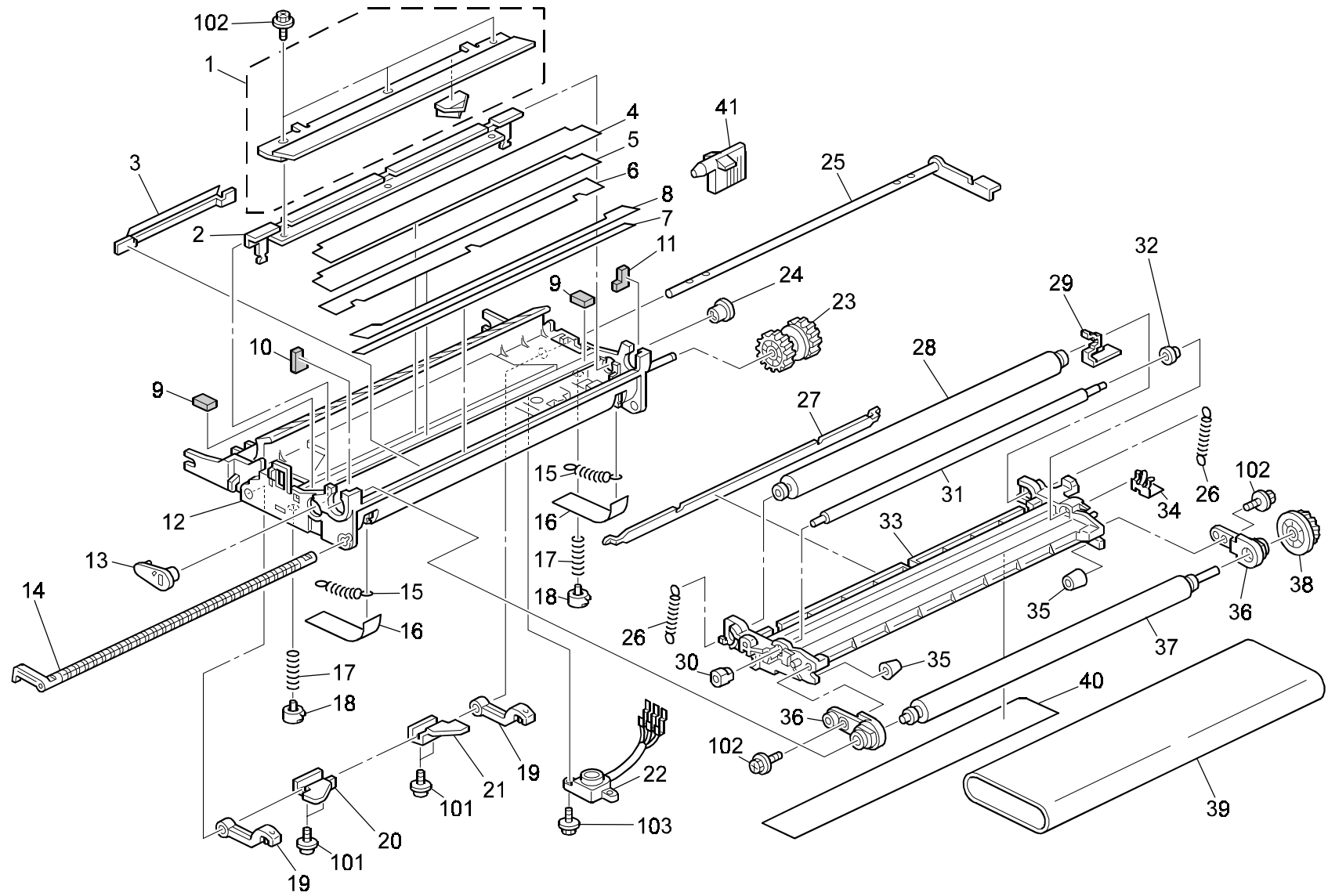


## 11.PCU UNIT 2 (G065)

Index No.	Part No.	Description	Q'ty Per Assembly
1	G065 2202	PCU	1
2	A232 2316	Stud - Cleaning Bracket	1
3	A230 9510	OPC Drum	1
4	A232 2340	Holder - Pick-off Pawl	2
5	A232 2339	Spur	2
6	AA06 2310	Pressure Spring	2
7	<b>AD02 5021</b>	<b>Pick-off Pawl</b>	<b>2</b>
8	G065 2302	Lower Frame - OPC	1
9	5447 2681	Snap Ring	2
10	A232 2354	Front Terminal - Charge Roller	1
11	G065 2321	Front Arm - Charge Unit	1
12	AA06 3648	Pressure Spring	2
13	A232 2315	Front Bushing - Cleaning Bracket	1
14	AA06 2300	Tension Spring	1
15	AA06 2299	Pressure Spring	1
16	A232 2310	Bracket - Cleaning Blade	1
17	A232 2318	Collar - Cleaning	1
18	G065 2326	Rear Arm - Charge Unity	1
19	A232 2421	Bushing - 6x10x3	2
20	A232 2308	Rear Terminal - Charge Roller	1
21	<b>A232 2353</b>	<b>Cleaning Blade Ass'y</b>	<b>1</b>
22	<b>G065 2330</b>	<b>Brush Roller - Cleaning</b>	<b>1</b>
23	<b>AD02 7006</b>	<b>Charge Roller</b>	<b>1</b>
24	A232 3553	Ball Bearing - 8x16x5	1

Index No.	Part No.	Description	Q'ty Per Assembly
101	0450 4010B	Tapping Screw - 4x10	
102	0451 3006B	Tapping Screw - M3x6	
103	0450 3008B	Tapping Screw - M3x8	
104	0720 0040E	Retaining Ring - M4	
105	0450 3006B	Tapping Screw - M3x6	
106	0451 3008B	Tapping Screw - M3x8	

## 12.TRANSFER UNIT 1 (G065)

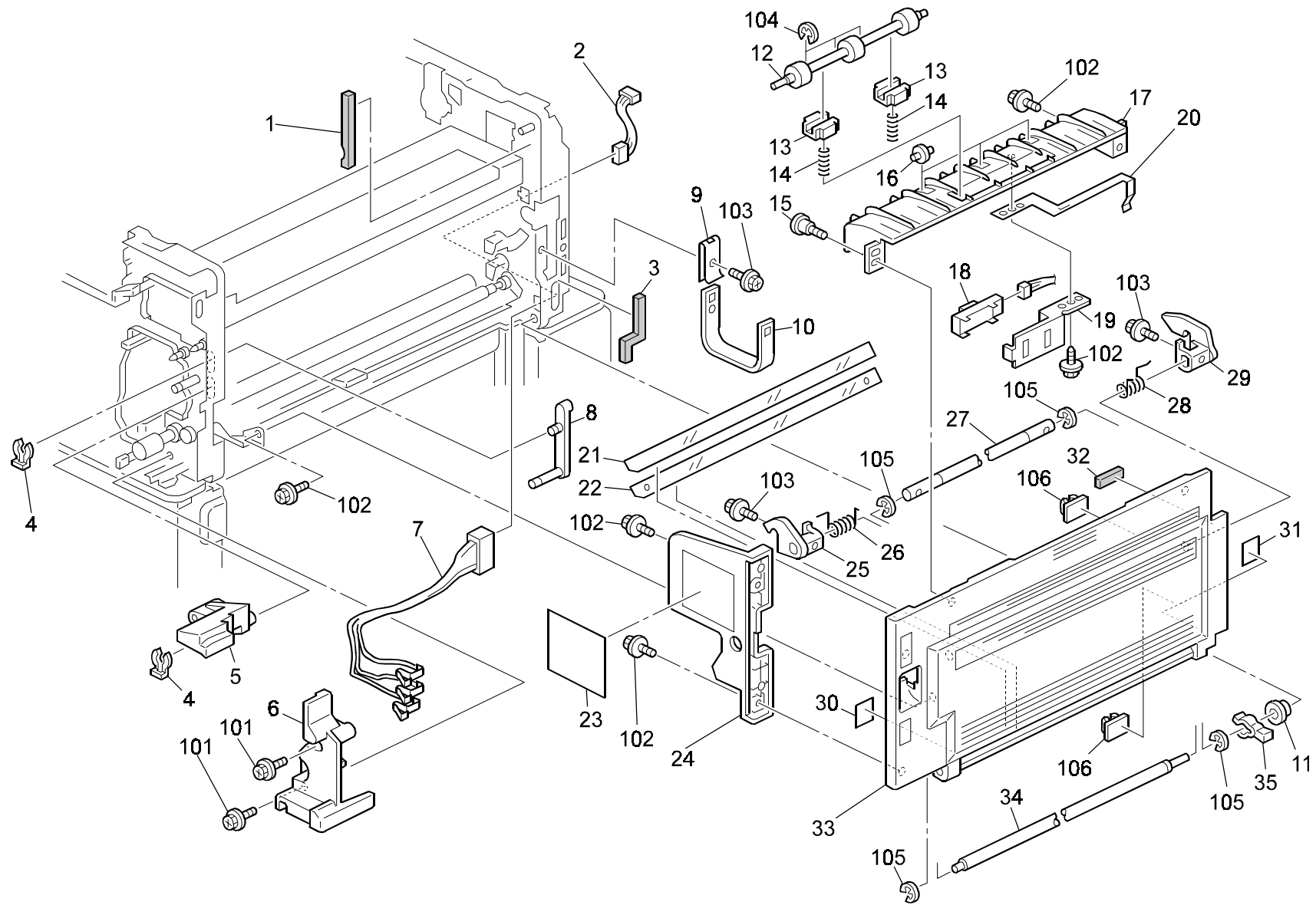


## 12.TRANSFER UNIT 1 (G065)

Index No.	Part No.	Description	Q'ty Per Assembly
1	<b>A232 3830</b>	<b>Cleaning Blade - Transfer Belt</b>	1
2	A232 3923	Bracket - Cleaning Blade	1
3	B004 3911	Mylar - Remove Paper Dust	1
4	A232 3907	Seal - Transfer Exit	1
5	A232 3906	Seal - Rear Transfer Exit	1
6	A232 3905	Seal - Shield Plate	1
7	A232 3903	Tape - Entrance Mylar	1
8	B004 3915	Entrance Mylar - Transfer Unit	1
9	A232 3927	Shield - Transfer Belt - Exit	2
10	A232 3909	Seal - Front Case	1
11	A232 3908	Seal - Rear Case	1
12	G035 3900	Case - Transfer Unit - Adonis	1
13	A232 3925	Front Bushing - Cleaning Holder	1
14	G034 3935	Shaft - Transfer Unit Stopper	1
15	AA06 0711	Pressure Spring	2
16	AA15 0401	Seal - 70x20	2
17	AA06 3305	Torsion Spring	2
18	A232 3921	Spring Anchor	2
19	A232 3916	Pressure Lever - Transfer Belt	2
20	A232 3912	Front Lever - Transfer Belt	1
21	A232 3911	Rear Lever - Transfer Belt	1
22	AW31 0006	Toner Overflow Sensor	1
23	AB01 4189	Gear - 27Z	1
24	A232 3924	Rear Bushing - Cleaning Holder	1
25	A232 3917	Release Lever - Transfer Belt	1
26	AA06 0712	Torsion Spring	2
27	A232 3883	Spring Plate - Transfer Unit	1
28	A232 3885	Driven Roller - Transfer Unit	1
29	A232 3887	Rear Terminal - Transfer Belt	1
30	AA08 0246	Bushing - Bias Roller	1
31	A232 3889	Bias Roller	1
32	AA08 2054	Bushing - M4	1
33	A232 3882	Frange - Transfer Unit	1
34	A232 3891	Bias Terminal	1
35	A232 3926	Transfer Belt Roller	2

Index No.	Part No.	Description	Q'ty Per Assembly
36	A232 3893	Arm - Transfer Belt	2
37	A232 3894	Drive Roller - Transfer Belt	1
38	AB01 1190	Gear - 25Z	1
39	<b>A232 3880</b>	<b>Transfer Belt</b>	1
40	B004 3914	Mylar - Belt Drive Roller	1
41	A232 3913	Bin - Release Lever	1
101	0951 3006B	Philips Screw With Flat Washer - M3x6	
102	0451 3006B	Tapping Screw - M3x6	
103	0450 3008B	Tapping Screw - M3x8	

# 13.TRANSFER UNIT 2 (G065)



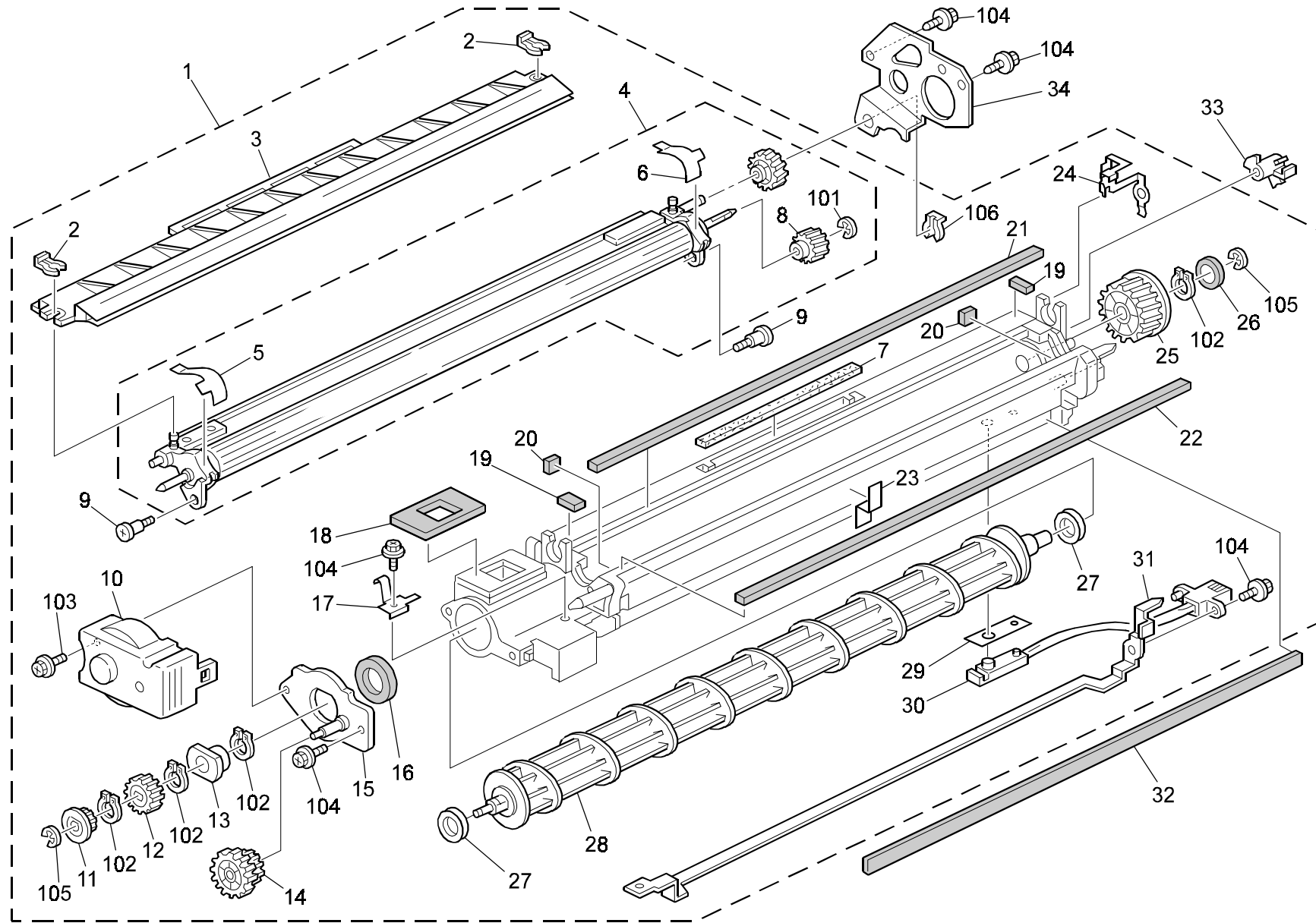
### 13.TRANSFER UNIT 2 (G065)

Index No.	Part No.	Description	Q'ty Per Assembly
1	AA15 3393	Frame Seal - Rear Vertical	1
2	B004 5454	Right Rear Harness	1
3	AA15 3391	Frame Seal - Rear Right	1
4	5447 2681	Snap Ring	2
5	AG05 1137	Handle Lever	1
6	G034 1373	Inner Cover - Right	1
7	B004 5466	Harness - Toner Overflow Sensor	1
8	A232 3950	Hook Lever	1
9	A232 3962	Spring Plate - Band Stopper	1
10	A232 3963	Band Stopper	1
11	AA08 2079	Bushing - 6x8x5.8	1
12	AF02 0516	Driven Roller	1
13	B004 4327	Bushing - 4mm	2
14	AA06 3855	Spring - 3.5n	2
15	B004 4330	Screw - 4.5MM	1
16	AF04 0571	Guide Roller	3
17	B004 4322	Guide Plate - Fusing Exit	1
18	AW01 0090	Fusing Exit Sensor	1
19	B004 4323	Exit Sensor Bracket	1
20	B004 4329	Grounding Plate - Exit Sensor	1
21	A232 3998	Upper Entrance Guide	1
22	A232 3999	Lower Entrance Guide	1
23	A232 3991	Decal - Shield Cover	1
24	G065 3861	Shield Cover	1
25	A232 3945	Front Hook - Right Cover	1
26	AA06 6575	Torsion Spring	1
27	AA14 0666	Shaft - Hook	1
28	AA06 6576	Torsion Spring	1
29	A232 3948	Rear Hook - Right Cover	1
30	G034 3811	Front Decal - Transfer Unit	1
31	G034 3812	Rear Decal - Transfer Unit	1
32	AA15 3392	Sponge - 24x6x5	1
33	A232 3940	Right Cover	1
34	A232 3941	Fulcrum Pin - Right Cover	1
35	A232 3942	Stopper - Right Cover	1

Index No.	Part No.	Description	Q'ty Per Assembly
101	0802 5276	Tapping Screw With Washer - M3x6	
102	0450 3008B	Tapping Screw - M3x8	
103	0451 3006B	Tapping Screw - M3x6	
104	0720 0030E	Retaining Ring - M3	
105	0720 0060E	Retaining Ring - M6	
106	1105 0165	Flat Cable Clamp	



# 14.DEVELOPMENT UNIT (G065)



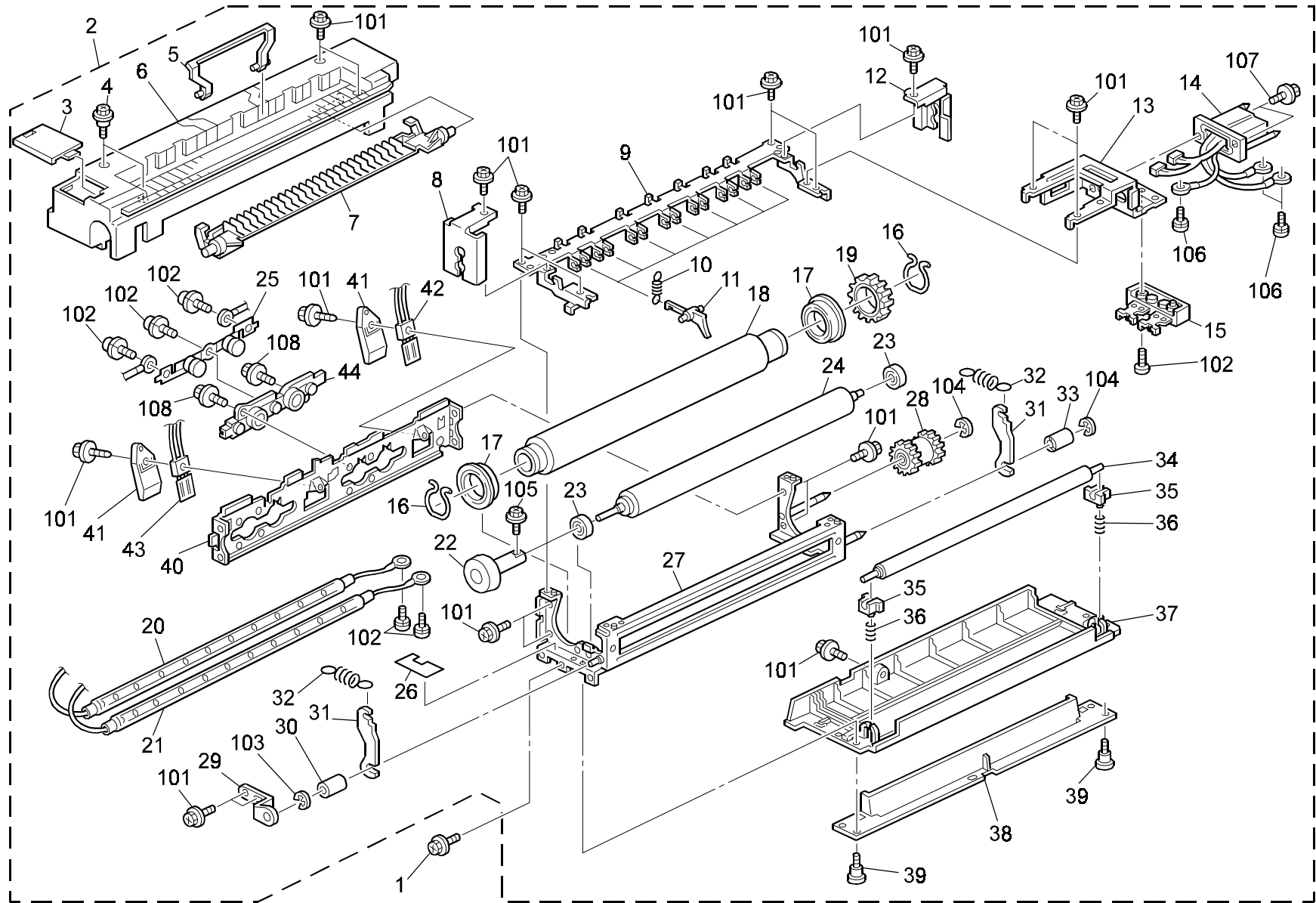
## 14.DEVELOPMENT UNIT (G065)

Index No.	Part No.	Description	Q'ty Per Assembly
1	G065 3001	Development Unit	1
2	5206 2686	Snap Ring	2
3	A232 3150	Entrance Seal Ass'y	1
4	B004 3100	Development Roller Ass'y	1
5	A232 3131	Front Shield - Development Sleeve	1
6	A232 3132	Rear Shield - Development Sleeve	1
7	<b>AA01 2102</b>	<b>Development Filter</b>	<b>1</b>
8	AB01 1386	Development Sleeve Gear	1
9	AA14 3219	Stepped Screw	2
10	A232 3155	Front Cover - Development Unit	1
11	AB01 4061	Gear - 13Z	1
12	AB01 4060	Gear - 21Z	1
13	AA08 0234	Bushing - 12x18x6	1
14	AB01 4062	Gear - 17Z/25Z	1
15	A232 3096	Flange - Side Plate	1
16	AA15 3062	Sponge - M46	1
17	A232 3068	Front Bias Terminal - Development	1
18	G065 3066	Entrance Shield - Toner Supply	1
19	AA15 3054	Sponge - 17x7x5	2
20	AA15 3077	Shield Case - Development	2
21	AA15 3053	Sponge - 317x5x5	1
22	G065 3067	Coupling Shield	1
23	G012 3897	Film - Toner End Sensor Harness	1
24	B004 3062	Ground Plate- Doctor Blade	1
25	B004 3078	Joint - Paddle	1
26	A232 3077	Spacer - M5	1
27	AA15 2283	Ring - M12	2
28	AD03 8078	Paddle	1
29	A232 3067	Tape - TD Sensor	1
30	B004 3065	TD Sensor	1
31	A232 3069	Rear Bias Terminal - Development	1
32	AA15 3443	Right Mylar - Development Unit	1
33	G065 3070	New Article Sensor Feeler	1
34	G065 3075	Bracket - PCU And Development	1

Index No.	Part No.	Description	Q'ty Per Assembly
101	0720 0040E	Retaining Ring - M4	
102	0725 0110E	C Ring - M11	
103	0450 3010B	Tapping Screw - M3x10	
104	0450 3008B	Tapping Screw - M3x8	
105	0720 0030E	Retaining Ring - M3	
106	0805 0097	Ring Separator	



# 15.FUSING UNIT (G065)

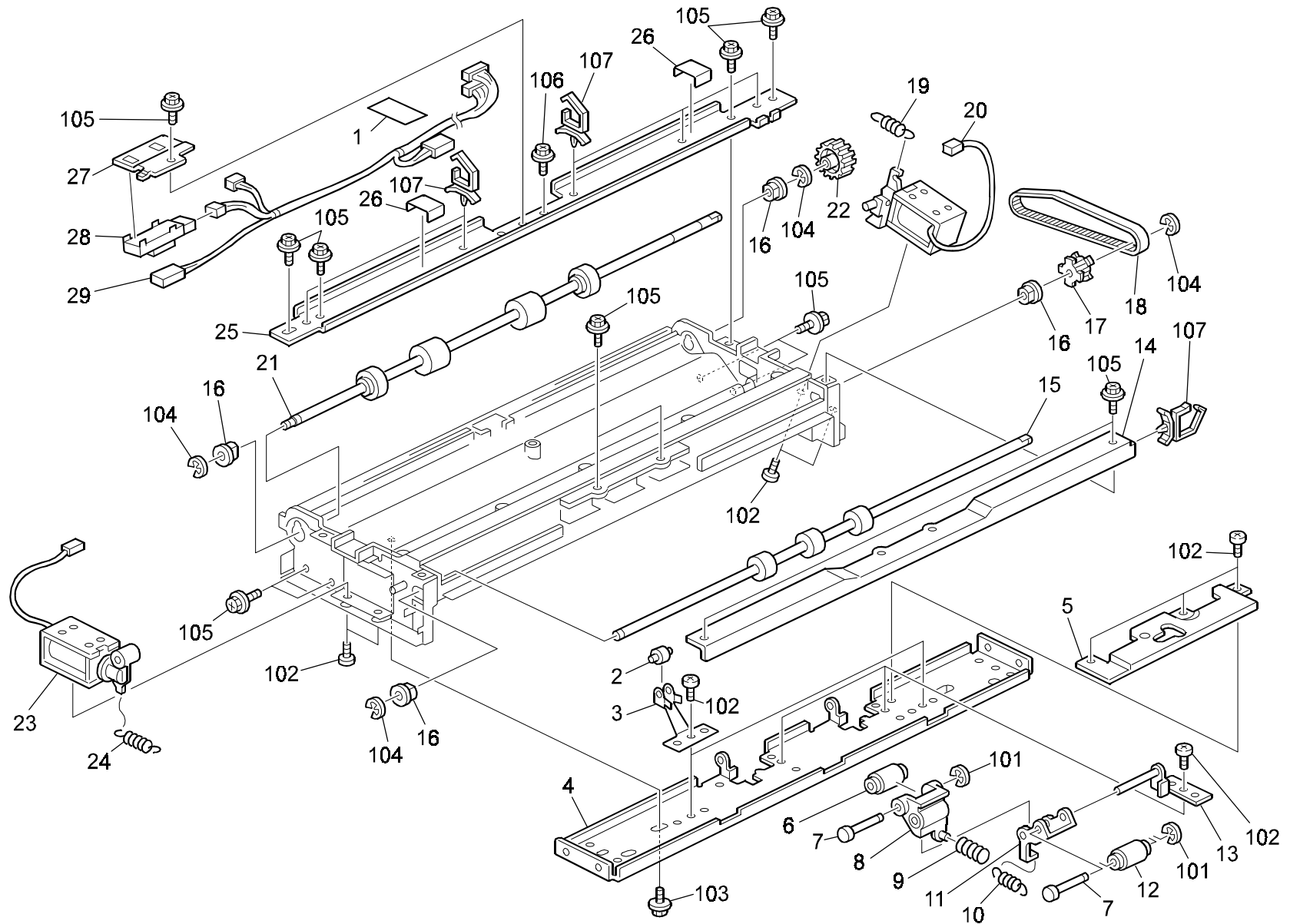


## 15.FUSING UNIT (G065)

Index No.	Part No.	Description	Q'ty Per Assembly
1	G034 2993	Flanged Hexagonal Head Bolt - M3x6	1
2	G065 7320	Fusing Unit - NA	1
2	G065 7720	Fusing Unit - EU	1
3	B004 4133	Cap- Fusing Cover	1
4	AA14 3520	Shoulder Screw - M3	2
5	G065 4136	Handle - Fuusing Unit	1
6	G065 4131	Fusing Cover	1
7	B004 4135	Guide Plate-fusing Exit	1
8	B004 4111	Front Heater Socket	1
9	B004 4081	Upper Frame - Fusing Unit	1
10	AA06 0879	Tension Spring	7
11	<b>AE04 4030</b>	<b>Hot Rollerstripper</b>	<b>7</b>
12	B004 4115	Rear Heater Socket	1
13	B004 4092	Bracket- Fusing Connector	1
14	G065 4117	Harness - Fusing Unit (120V)	1
14	G065 4127	Harness - Fusing Unit (230V)	1
15	B004 4095	Terminal Plate - Fusing Unit	1
16	A232 4064	C Ring - Hot Roller	2
17	AE03 0047	Ball Bearing - 30x42x7	2
18	<b>AE01 1064</b>	<b>Hot Roller - MM39.8 - T0.4</b>	<b>1</b>
19	AB01 3882	Gear - 40Z	1
20	AX44 0149	Heater - 120V 650W 215mm	1
20	AX44 0150	Heater - 230V 650W 215mm	1
21	AX43 0072	Heater - 120V 550W 335mm	1
21	AX43 0073	Heater - 230V 550W 335mm	1
22	G065 4071	Knob - Hot Roller	1
23	AE03 0048	Ball Bearing - 8x22x7	2
24	<b>AE02 0108</b>	<b>Pressure Roller</b>	<b>1</b>
25	G065 4106	Thermostat	1
26	A232 4053	Fusing Lower Shield	1
27	A232 4051	Frame - Fusing Unit	1
28	AB01 4046	Gear - 25Z	1
29	A232 4059	Positioning Plate - Pressure Lever	1
30	A232 4057	Front Collar - Pressure Lever	1
31	B004 4056	Pressure Lever	2

Index No.	Part No.	Description	Q'ty Per Assembly
32	AA06 0840	Pressure Spring - 29n	2
33	A232 4058	Rear Collar - Pressure Lever	1
34	AE04 2039	Fusing Cleaning Roller	1
35	AA08 2073	Roller Busing	2
36	AA06 3570	Tension Spring	2
37	A232 4123	Upper Fusing Entrance Guide	1
38	B004 4126	Lower Entrance Guide Plate	1
39	AA14 0140	Screw - M3X4.5	2
40	G065 4055	Stay - Thermostat	1
41	B004 4087	Plate- Thermistor	2
42	<b>AW10 0053</b>	<b>Thermistor - Rear</b>	<b>1</b>
43	<b>AW10 0052</b>	<b>Thermistor - Center</b>	<b>1</b>
44	G065 4105	Housing - Thermostat	1
101	0451 3006B	Tapping Screw - M3x6	
102	0801 0149	Philips Pan Head Screw - M4x6	
103	0720 0030E	Retaining Ring - M3	
104	0720 0040E	Retaining Ring - M4	
105	0804 6075	Hexagonal Bolt - M3x8	
106	0954 3012B	Screw - M3X12	
107	0451 3008B	Tapping Screw - M3x8	
108	0453 3006B	Tapping Screw - M3x6	

# 16.PAPER SEPARATION 1 (G065)

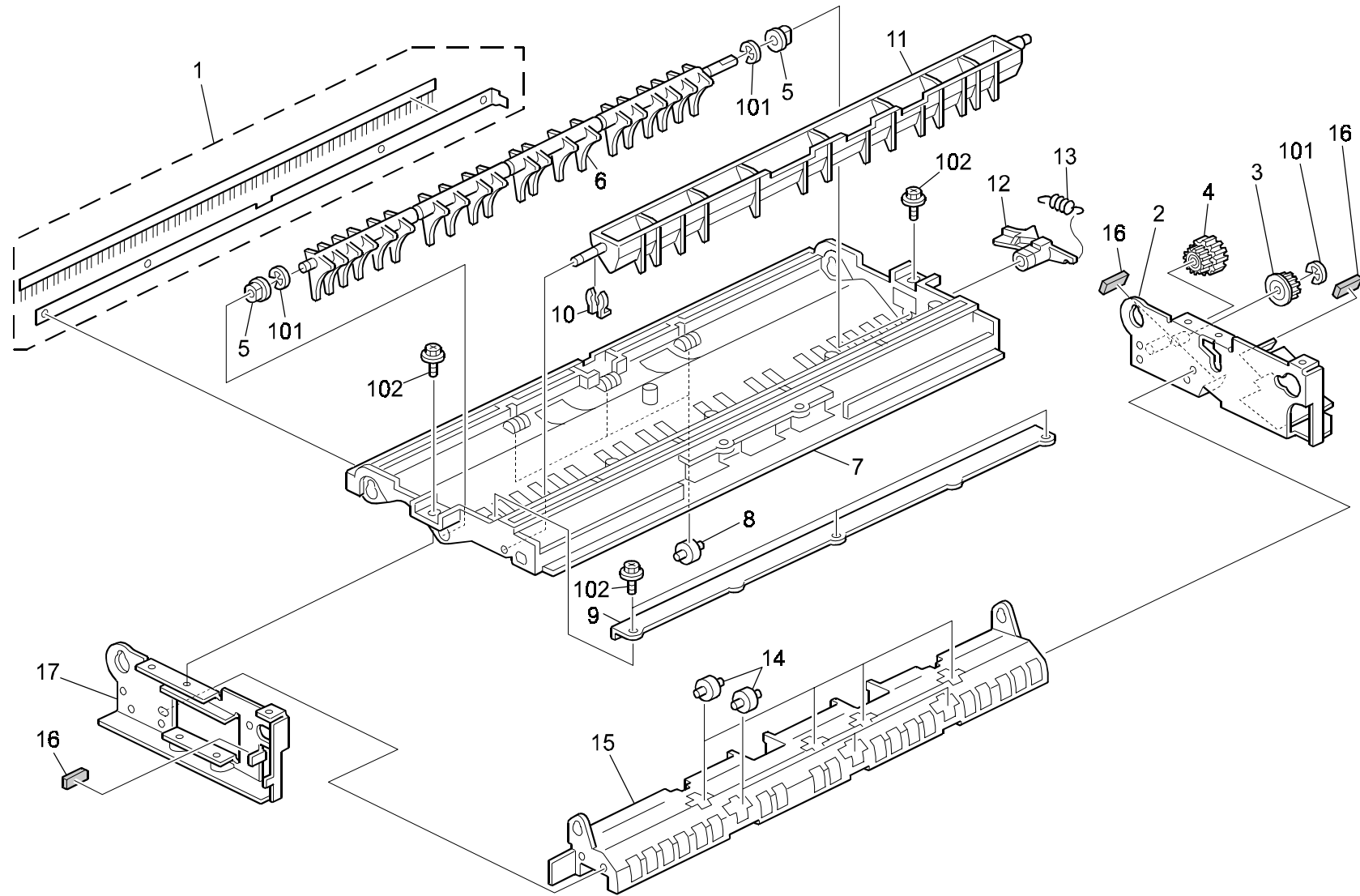


## 16.PAPER SEPARATION 1 (G065)

Index No.	Part No.	Description	Q'ty Per Assembly
1	B004 4434	Harness Guide	1
2	AF04 0575	Driven Roller	2
3	B004 4469	Spring Plate - Exit Roller	2
4	B004 4455	Frame - Left Lower	1
5	B004 4437	Supporting Plate - Left Lower	1
6	AF04 0573	Pressure Roller	2
7	B004 4460	Shaft-pressure Roller	4
8	B004 4458	Pressure Arm - Exit	2
9	AA06 3854	Pressure Spring	2
10	AA06 2312	Pressurespring	2
11	B004 4463	Pressure Arm - Entrance	2
12	AF04 0591	Pressure Roller - Entrance	2
13	B004 4466	Bracket - Contact Point	2
14	B004 4490	Right Supporting Plate	1
15	AF02 0515	Transport Roller	1
16	AA08 2058	Bushing - 6x10x9mm	4
17	AB03 0568	Pulley - 23T	1
18	AA04 3555	Timing Belt - S2M234	1
19	AA06 2313	Gate Pawl Spring 1.5n	1
20	B004 4486	DC Solenoid	1
21	AF02 0514	Exit Roller	1
22	AB01 4049	Gear - 24Z	1
23	A232 4484	Solenoid - Exit Gate	1
24	AA06 0716	Tension Spring	1
25	B004 4493	Joint	1
26	G012 3897	Film-toner End Sensor Harness	1
27	B004 4494	Paper Feed Sensor Bracket	2
28	AW01 0049	Photo Reflection Sensor	1
29	B004 5459	Exit Harness	1

Index No.	Part No.	Description	Q'ty Per Assembly
101	0720 0030E	Retaining Ring - M3	
102	0353 0040B	Screw - M3X4	
103	0450 3008B	Tapping Screw - M3x8	
104	0720 0040E	Retaining Ring - M4	
105	0451 3006B	Tapping Screw - M3x6	
106	0450 3006B	Tapping Screw - M3x6	
107	1105 0511	Harness Clamp - LWS-0306ZC	

# 17.PAPER SEPARATION 2 (G065)

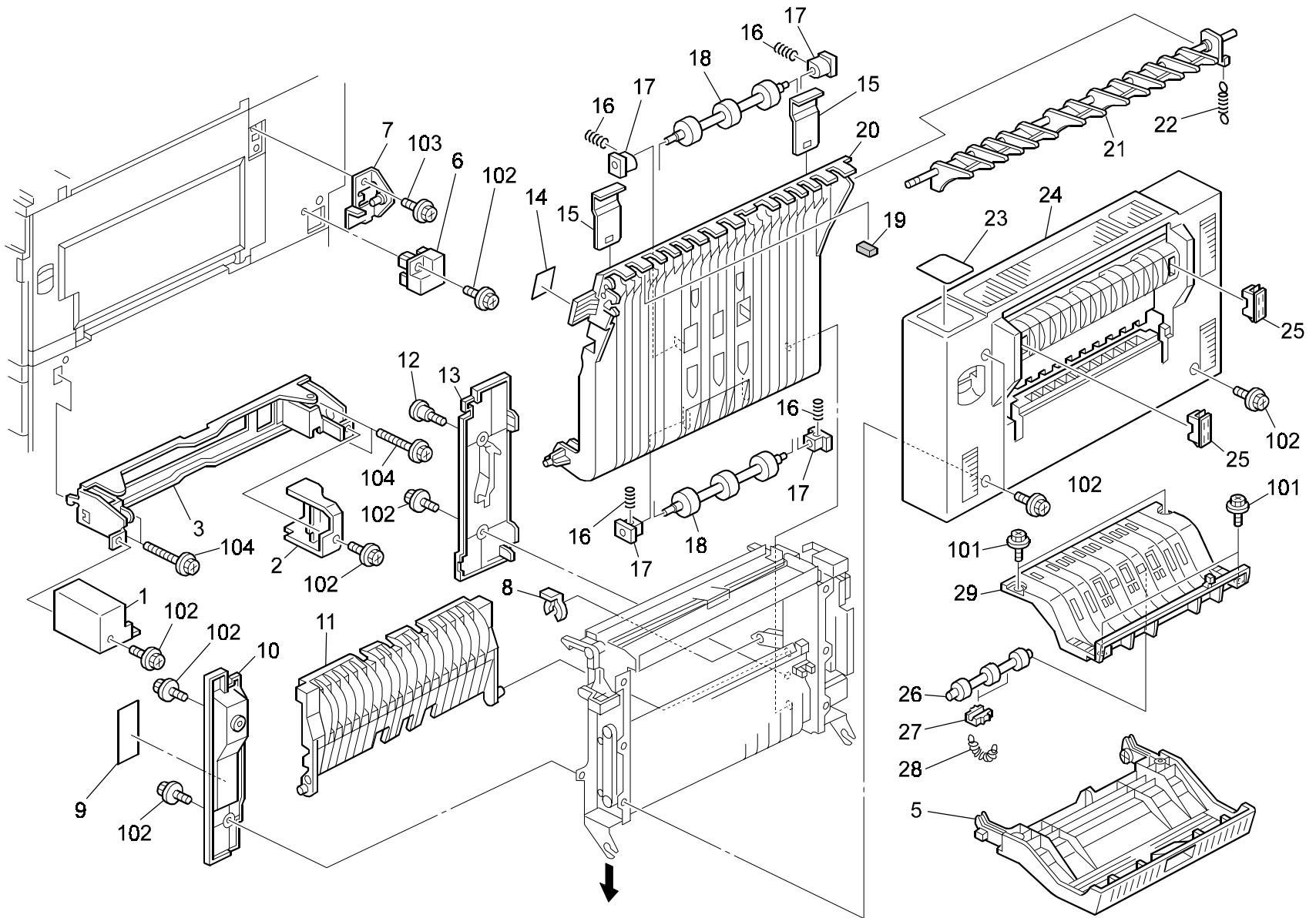


## 17.PAPER SEPARATION 2 (G065)

Index No.	Part No.	Description	Q'ty Per Assembly
1	B004 4496	Unstatic Brush	1
2	B004 4472	Rear Plate	1
3	AB03 0672	Idlerpulley	1
4	AB01 7458	Gear Pulley - 18Z/22T	1
5	B004 4438	Bushing	2
6	B004 4478	Entrance Junction Gate	1
7	B004 4477	Upperguide Plate	1
8	AF04 0574	Guideroller	3
9	B004 4439	Protect Bracket - Middle	1
10	5447 2681	Snap Ring	1
11	B004 4481	Exit Junction Gate	1
12	B004 4479	Lever - Entrance Junction Gate	1
13	AA06 0855	Return Spring	1
14	AF04 0571	Guide Roller	7
15	B004 4453	Lower Guide Plate	1
16	AA16 1628	Link Cushion - 10x5x2	3
17	B004 4471	Frontplate	1

Index No.	Part No.	Description	Q'ty Per Assembly
101	0720 0040E	Retaining Ring - M4	
102	0450 3006B	Tapping Screw - M3x6	

# 18.DUPLEX UNIT 1 (G065)



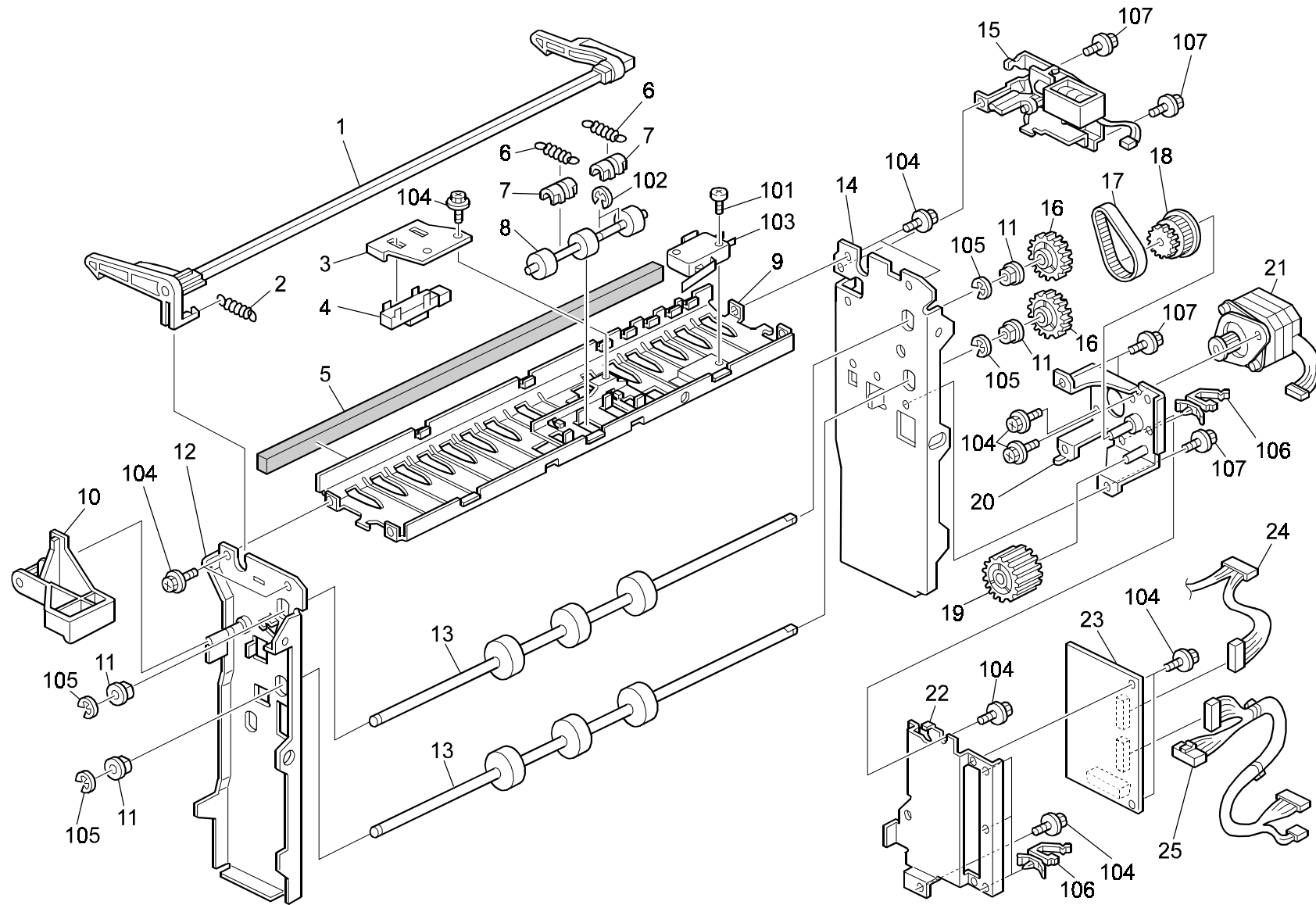
## 18.DUPLEX UNIT 1 (G065)

Index No.	Part No.	Description	Q'ty Per Assembly
1	A232 6109	Front Cover - By-pass Unit	1
2	A232 6108	Rear Cover - By-pass Unit	1
3	A232 6095	Frame By-pass Unit Holder	1
4	B004 5842	Gasket - Duplex Unit	1
5	B004 4711	Right Cover - Duplex Unit	1
6	A232 4810	Harness Cover - Duplex Unit	1
7	A232 4793	Bracket - Link Lever	1
8	5447 2681	Snap Ring	1
9	B004 4852	Decal - Duplex Jam	1
10	A232 4720	Inner Cover - Duplex Unit	1
11	B004 4645	Guide Plate - Middle	1
12	B004 5843	Screw - Inner Cover	1
13	A232 4730	Rear Inner Cover	1
14	B004 4851	Decal - Jam Removal	1
15	A232 4653	Pressure Plate - Guide Plate	2
16	AA06 3303	Pressure Spring	4
17	AA08 0034	Bushing - 4x5x7	4
18	AF02 0512	Driven Roller - Duplex	2
19	AA16 1126	Exchange Pawl Cushion	2
20	A232 4647	Driven Guide Plate	1
21	AF02 5036	Duplex Junction Gate	1
22	AA06 0709	Tension Spring	1
23	B004 4853	Upper Decal - Duplex Unit	1
24	B004 4701	Duplex Unit Cover	1
25	A680 1181	Magnetic Catch	2
26	AF02 0511	Reverse Roller - Driven	1
27	AA08 0227	Bushing - M4	2
28	AA06 0839	Pressure Spring - Driven	2
29	B004 4710	Right Cover - Duplex Unit	1

Index No.	Part No.	Description	Q'ty Per Assembly
101	0450 3008H	Tapping Screw M3x8	
102	0451 3008H	Tapping Screw - M3x8	
103	0451 3006B	Tapping Screw - M3x6	
104	0451 4010B	Tapping Screw - 4x10	



# 19.DUPLEX UNIT 2 (G065)

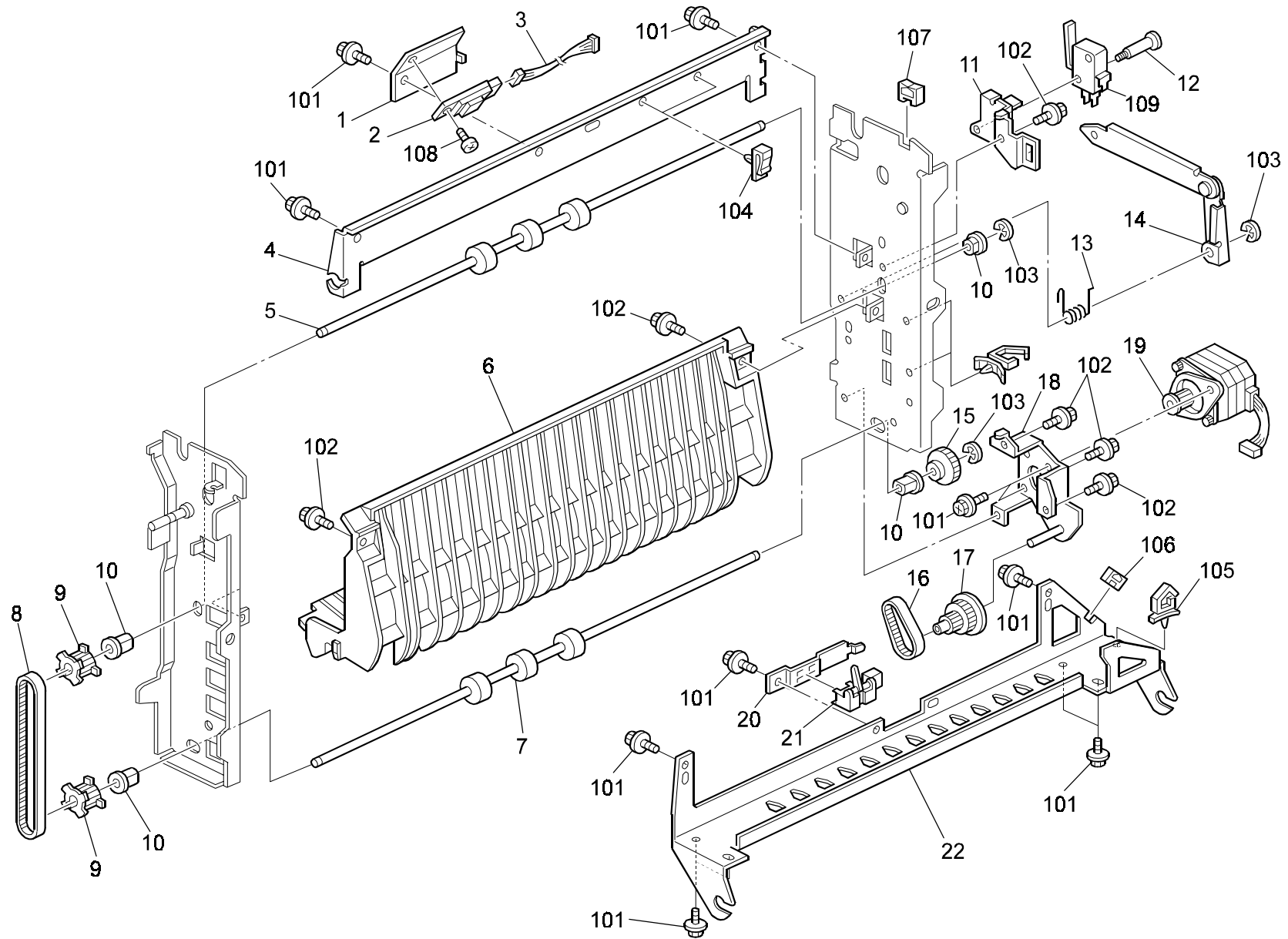


## 19.DUPLEX UNIT 2 (G065)

Index No.	Part No.	Description	Q'ty Per Assembly
1	A232 4685	Hook - Unit Release	1
2	AA06 6152	Tension Spring	1
3	B004 4763	Bracket - Entrance Sensor	1
4	AW01 0049	Photo Reflection Sensor	1
5	AA16 2046	Cushion - 347x10x5	1
6	AA06 0839	Pressure Spring - Driven	3
7	AA08 0227	Bushing - M4	3
8	AF02 0511	Reverse Roller - Driven	1
9	B004 4634	Guide Plate - Reverse	1
10	A232 4684	Handle - Unit Release	1
11	AA08 2074	Bushing - M8	4
12	B004 4638	Frontside Plate	1
13	AF02 0509	Reverse Roller - Duplex	2
14	B004 4642	Side Plate-rear	1
15	B004 4690	Link Solenoid Ass'y	1
16	AB01 4161	Reverse Roller Gear	2
17	AA04 3443	Timing Belt - S2M 140	1
18	AB03 0670	Gear - 24Z	1
19	AB01 4162	Gear - 46Z	1
20	B004 4666	Bracket - Inverter Motor	1
21	B004 4664	DC Motor - 28W	1
22	B004 4800	Main Board Bracket	1
23	B004 5140	Main Board - Duplex	1
24	B004 5461	Sensor Harness - Duplex Unit	1
25	B004 5460	Main Harness - Duplex Unit	1

Index No.	Part No.	Description	Q'ty Per Assembly
101	0353 0120B	Bind Screw - M3x12	
102	0720 0030E	Retaining Ring - M3	
103	1204 2466	Micro Switch - V-16506-1C25	
104	0451 3006B	Tapping Screw - M3x6	
105	0720 0060E	Retaining Ring - M6	
106	1105 0460	Clamp	
107	0802 5276	Tapping Screw With Washer - M3x6	

# 20.DUPLEX UNIT 3 (G065)

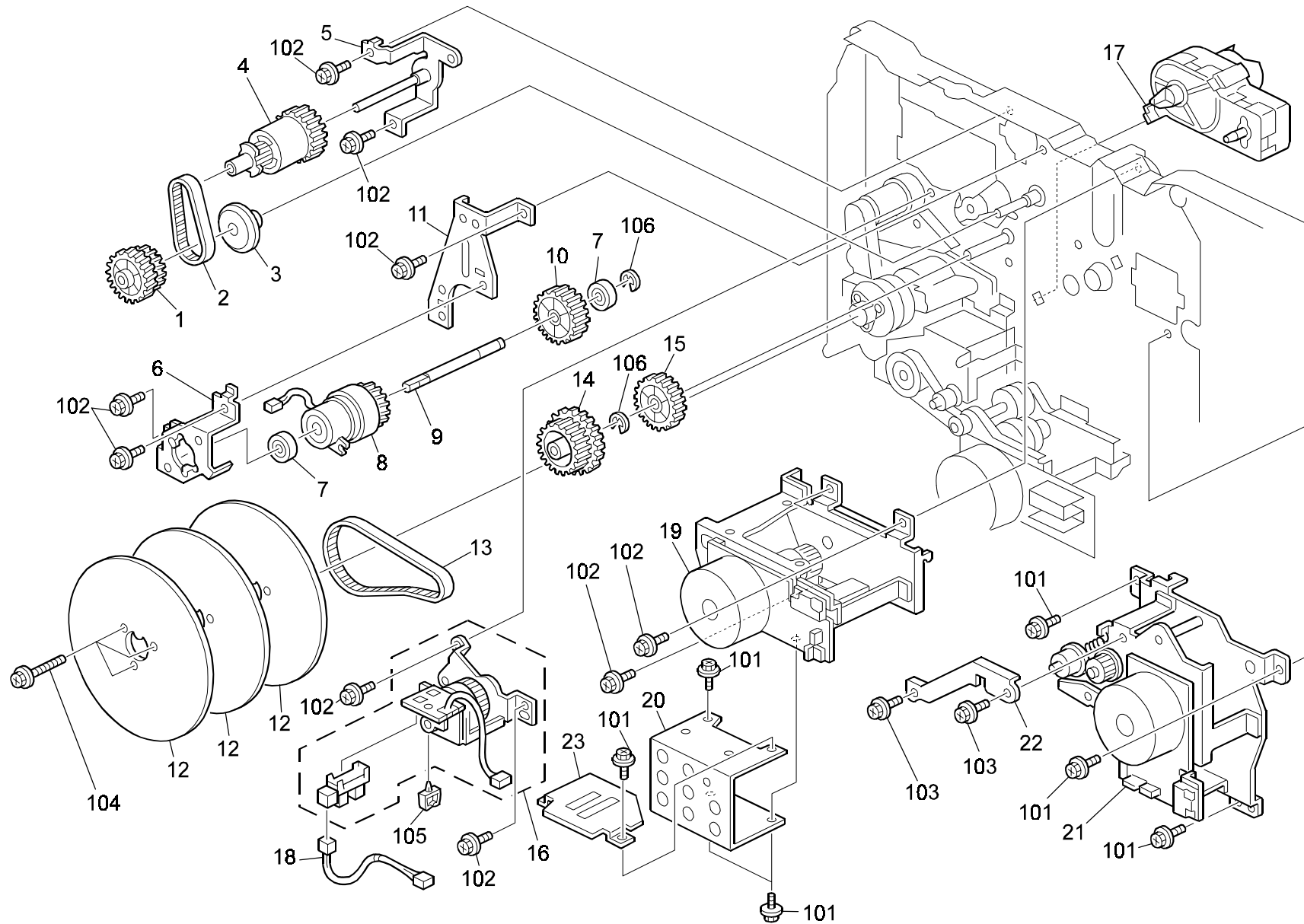


## 20.DUPLEX UNIT 3 (G065)

Index No.	Part No.	Description	Q'ty Per Assembly
1	B004 4791	Sensor Bracket	1
2	AW01 0048	Photosensor - GP2A28N1	1
3	B004 5462	Sensor Harness	1
4	B004 4792	Middle Stay	1
5	AF02 0513	Transport Roller	1
6	B004 4622	Guide Plate - Right Lower	1
7	AF02 0510	Exit Transport Roller	1
8	AA04 3444	Timing Belt - S2M 350	1
9	AB03 0474	Pulley - 24T	2
10	AA08 2075	Bushing - M6	4
11	B004 4697	Micro Switch Bracket	1
12	AA14 3461	Stepped Screw - M2.5	1
13	AA06 6335	Torsion Spring	1
14	A232 4790	Link - Duplex Unit	1
15	AB01 1088	Gear - 30Z	1
16	AA04 3443	Timing Belt - S2M 140	1
17	AB03 0671	Gear Pulley - Transport	1
18	B004 4678	Bracket - Feed Motor	1
19	B004 4664	DC Motor - 28W	1
20	A232 4757	Bracket - Feed Sensor	1
21	AW02 0126	Photointerruptor	1
22	B004 4630	Lower Stay - Duplex	1

Index No.	Part No.	Description	Q'ty Per Assembly
101	0451 3006B	Tapping Screw - M3x6	
102	0802 5276	Tapping Screw With Washer - M3x6	
103	0720 0040E	Retaining Ring - M4	
104	1105 0283	Clamp	
105	1105 0291	Harness Clamp - LWS-3S	
106	1105 0328	Harness Clamp - ES-0505	
107	1105 0329	Clamp - ES-0510	
108	0313 0060B	Philips Pan Head Screw - M3x6	
109	1204 2466	Micro Switch - V-16506-1C25	

# 21.DRIVE SECTION 1 (G065)

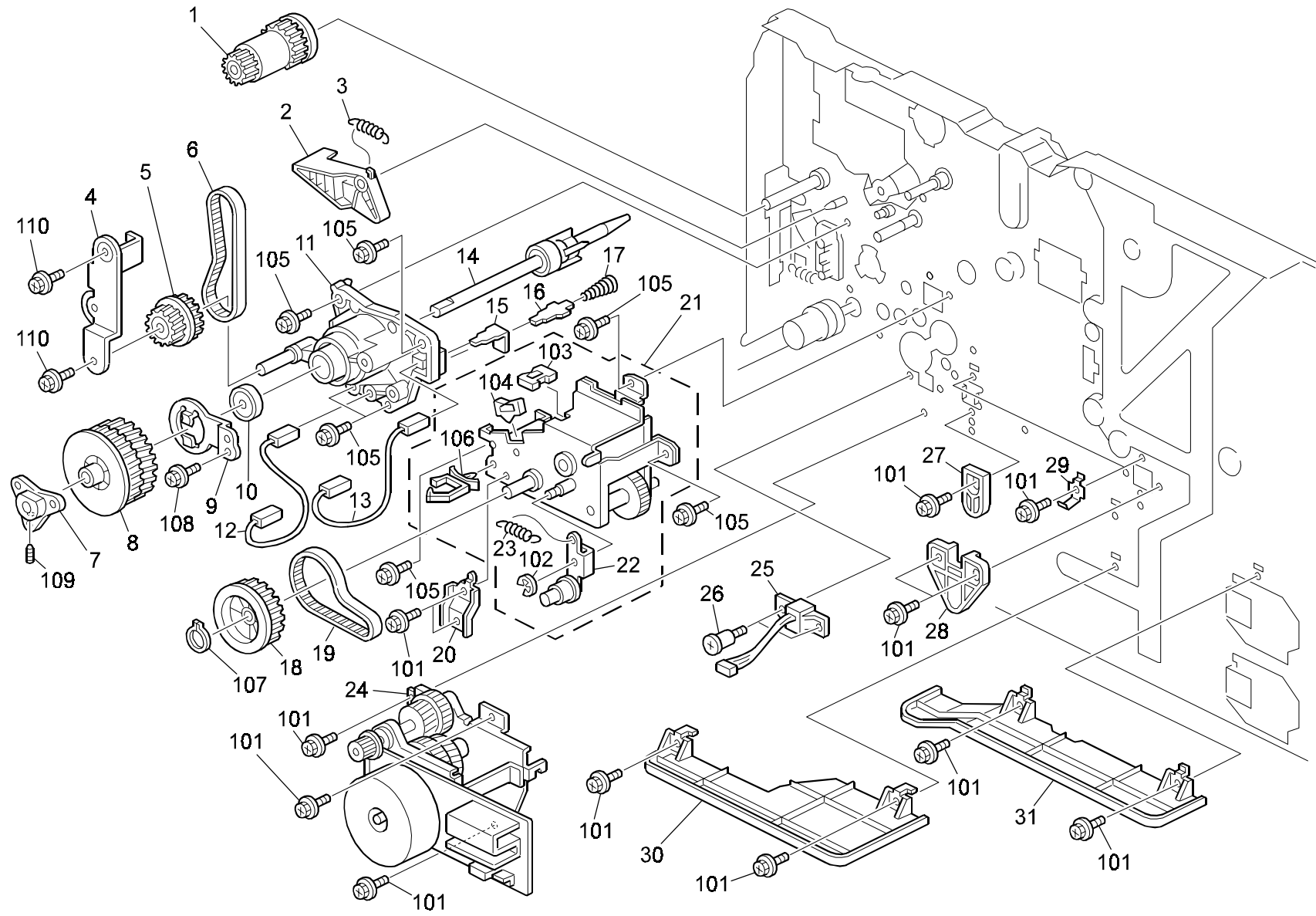


## 21.DRIVE SECTION 1 (G065)

Index No.	Part No.	Description	Q'ty Per Assembly
1	AB03 0716	Gear - 32Z/29T	1
2	AA04 3571	Timing Belt - S3M - 180	1
3	G065 1143	Bushing - M34	1
4	AB03 0717	Gear - 30Z/18T	1
5	A232 1136	Bracket - Belt Stopper	1
6	G065 1144	Magnetic Clutch Bracket	1
7	A232 3553	Ball Bearing - 8x16x5	2
8	AX20 0233	Magnetic Clutch - Fusing Drive	1
9	AA14 9638	Shaft - Fusing Clutch	1
10	AB01 4221	Gear - 34Z	1
11	G065 1141	Belt Bracket	1
12	G020 1189	Fly Wheel	3
13	AA04 3553	Timing Belt - B60S2M316	1
14	AB01 4222	Gear - 33Z/30T	1
15	AB01 4223	Gear - 30Z	1
16	AX21 0081	Transfer Unit Clutch	1
17	AX05 0168	DC Motor - Toner Bottle	1
18	G065 5437	Relay Harness - Belt Contact	1
19	AX06 0229	Fusing Motor	1
20	G065 5862	Bracket - Harness	1
21	AX06 0228	Main Motor	1
22	B004 1156	Bracket - OPC Drum	1
23	G065 5864	Bracket - Relay Harness	1

Index No.	Part No.	Description	Q'ty Per Assembly
101	0451 3006B	Tapping Screw - M3x6	
102	0802 5276	Tapping Screw With Washer - M3x6	
103	0451 3008B	Tapping Screw - M3x8	
104	0451 3014B	Tapping Screw - M3-14	
105	1105 0229	Clamp	
106	0720 0060E	Retaining Ring - M6	

## 22.DRIVE SECTION 2 (G065)



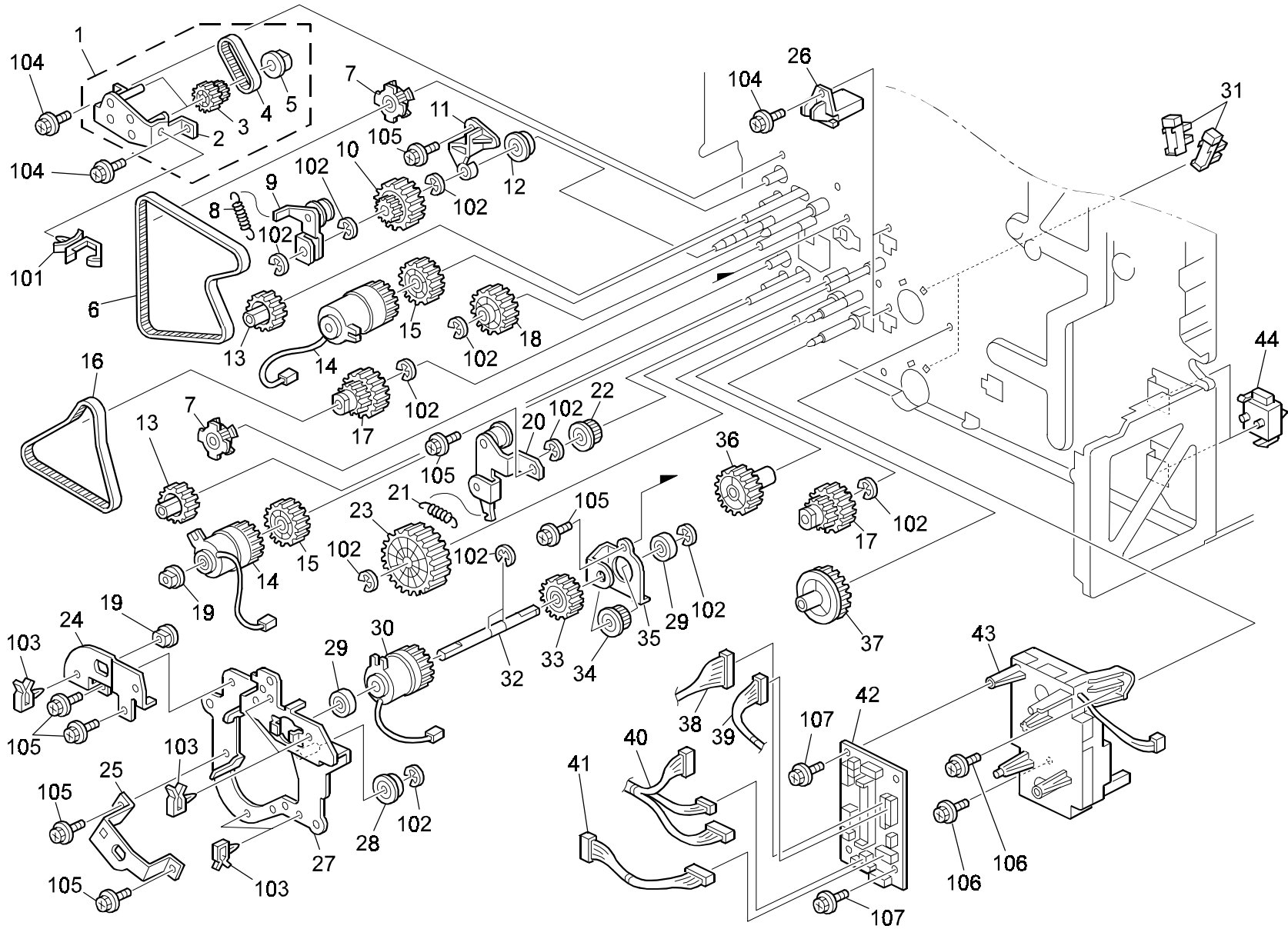
## 22.DRIVE SECTION 2 (G065)

Index No.	Part No.	Description	Q'ty Per Assembly
1	AB03 0715	Timing Pulley - Transfer Unit	1
2	A232 2372	Lock Lever - Transfer Unit	1
3	AA06 2317	Tension Spring	1
4	G065 1132	Bracket - Transfer Drive	1
5	AB03 0714	Timing Pulley - 32Z/52T	1
6	AA04 3570	Timing Belt - B60S2M240	1
7	G065 1128	Flange - Fly Wheel	1
8	G065 1122	Timing Pulley - 58Z/79T	1
9	G065 1127	Bracket - Drum Holder	1
10	A232 3552	Ball Bearing - 8x22x7	1
11	G065 1125	Drum Holder	1
12	A232 2383	Harness - Development Bias	1
13	A232 2381	Harness - Charge Roller	1
14	AD01 5020	Drum Shaft	1
15	A232 2380	Terminal Plate - Change Roller	1
16	A232 2382	Terminal Plate - Development Bias	1
17	AA06 3371	Spring	1
18	B004 1153	Timing Pulley - Paddle	1
19	AA04 3569	Timing Belt - B50S3M228	1
20	B004 1096	Development Drive Bracket	1
21	B004 1138	Development Drive Unit	1
22	B004 1147	Tightener Development Drive	1
23	B004 1150	Spring - Tightener	1
24	AX06 0207	Feed/Dev. Motor - DC 30W	1
25	B004 5453	Drawer Harness - Development	1
26	AA14 3432	Stepped Screw - M3	2
27	B004 1938	Holder - Optical Housing Unit	1
28	B004 1939	Holder - Optical Housing Unit	1
29	B004 1936	Plate - Optical Housing Unit	1
30	B004 1322	Shield Plate - DC Motor	1
31	B004 1321	Shield Plate - BICU	1

Index No.	Part No.	Description	Q'ty Per Assembly
101	0451 3006B	Tapping Screw - M3x6	
102	0720 0060E	Retaining Ring - M6	
103	1105 0329	Clamp - ES-0510	
104	1105 0349	Edge Saddle	
105	0451 3008B	Tapping Screw - M3x8	
106	1105 0460	Clamp	
107	0727 0080E	Retaining Ring - M8	
108	0450 3008B	Tapping Screw - M3x8	
109	0534 0050E	Headless Screw - M4x5	
110	0633 0140G	Parallel Pin - 3x14	
111	0802 5279	Tapping Screw With Washer - M3x8	



# 23.DRIVE SECTION 3 (G065)

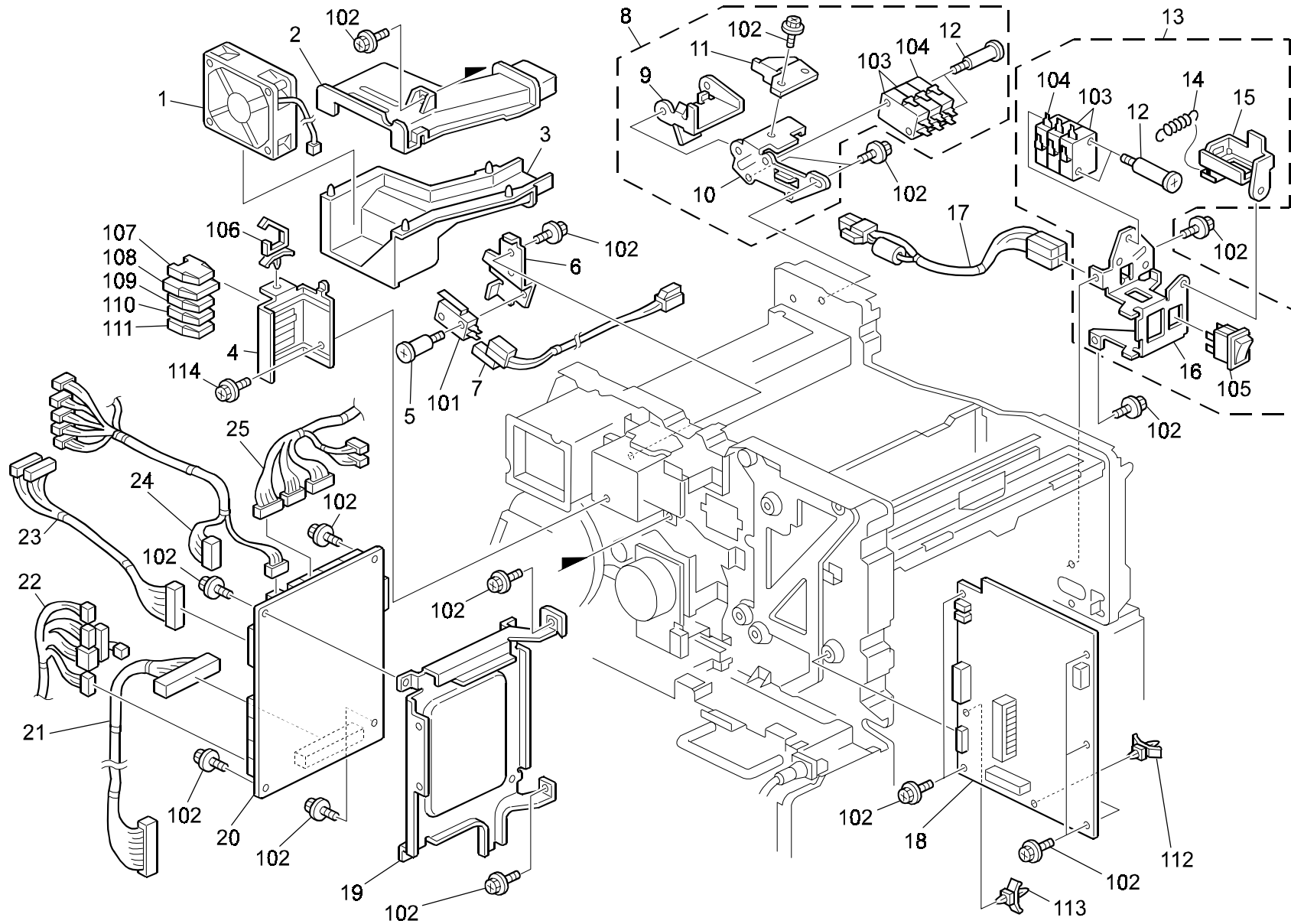


## 23.DRIVE SECTION 3 (G065)

Index No.	Part No.	Description	Q'ty Per Assembly
1	B004 1164	Bracket - Registration Drive	1
2	B004 1165	Bracket - Timing Pulley	1
3	AB03 0669	Timing Pulley - Resistration	1
4	AA04 3554	Timing Belt - B60S3M129	1
5	B004 1167	Flange - 24mm	1
6	AA04 3445	Timing Belt - S3M-360	1
7	AB03 0625	Timing Pulley - 20Z	2
8	AA06 0694	Tension Spring	1
9	A232 2705	Tightener - Paper Feed	1
10	AB03 0562	Timing Pulley - 31Z/20T	1
11	B004 1177	Spacer - By-pass Feed	1
12	AB03 0634	Pulley	1
13	AB01 4038	Gear - 22Z	2
14	AX20 0231	Magnetic Clutch - 0.5N M-28Z	2
15	AB01 4219	Gear - 24Z	2
16	AA04 3446	Timing Belt - S3M-312	1
17	AB03 0561	Timing Pulley - 31Z/20T	2
18	AB01 4160	Idler Gear - Resistration	1
19	GA08 0002	Bushing - 6mm	2
20	B004 1169	Tightener	1
21	AA06 0695	Tension Spring	1
22	AB03 0567	Timing Pulley - 18T	1
23	AB01 4159	Gear - 49Z	1
24	B004 1162	Upper Holder Plate	1
25	B004 1179	Lower Holder Plate	1
26	A232 2996	Rear Positioning Guide	1
27	B004 1172	Support Bracket	1
28	AB03 0590	Pulley - M17	1
29	A232 3552	Ball Bearing - 8x22x7	2
30	AX20 0138	Electrical Clutch - Mice-13	1
31	AW02 0056	Photointerruptor - EE-SX4235A-P1	2
32	AA14 9515	Gear Shaft	1
33	AB01 4164	Gear - 28T	1
34	AB03 0566	Timing Pulley - 20T	1
35	B004 1163	Pulley Bracket	1

Index No.	Part No.	Description	Q'ty Per Assembly
36	AB01 4039	Gear - 31Z	1
37	AB01 4040	Gear - 29Z	1
38	B007 5465	Harness - Paper Feed	1
39	B004 5455	Harness - Paper Size Sensor	1
40	A232 5405	Main Harness - Paper Feed	1
41	G035 5411	Harness - Bank - Junction	1
42	B004 5130	pFB Board	1
43	AX04 0078	DC Motor - 3W	1
44	G020 2620	Push Switch - Paper Size	1
101	1105 0511	Harness Clamp - LWS-0306ZC	
102	0720 0060E	Retaining Ring - M6	
103	1105 0267	Harness Clamp - YMC-10-0	
104	0451 3006B	Tapping Screw - M3x6	
105	0802 5279	Tapping Screw With Washer - M3x8	
106	0451 3008B	Tapping Screw - M3x8	
107	0450 3008B	Tapping Screw - M3x8	

# 24.ELECTRICAL SECTION 1 (G065)

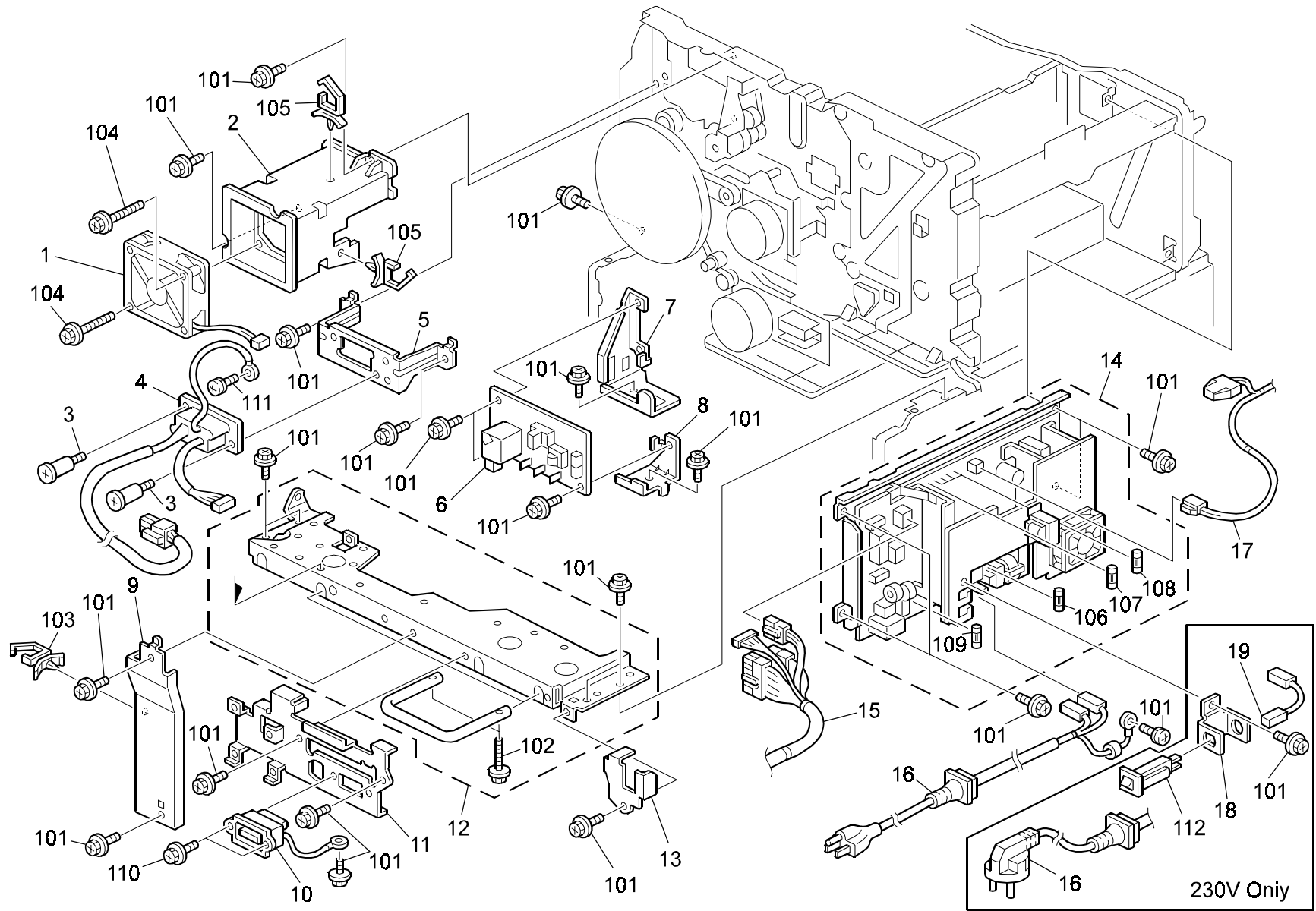


## 24.ELECTRICAL SECTION 1 (G065)

Index No.	Part No.	Description	Q'ty Per Assembly
1	AX64 0113	Fan Motor - 80mm - DC 2.4W	1
2	G065 1171	Upper Duct	1
3	G065 1170	Lower Duct	1
4	G065 5825	Connector Bracket	1
5	AA14 3461	Stepped Screw - M2.5	1
6	G034 1071	Bracket - Micro Switch	1
7	G035 5521	Harness - DC - Joint Unit	1
8	B004 5024	Safety Switch Ass'y	1
9	A232 5861	Lever - Interlock Switch	1
10	A232 5860	Bracket - Interlock Switch	1
11	A232 5862	Cover - Switch Lever	1
12	AA14 3512	Stepped Screw - M2.5	4
13	B004 5021	Safety & Power Switch Ass'y	1
14	AA06 0713	Tension Spring	1
15	A232 5865	Push Switch Lever	1
16	B004 5866	Power Switch Bracket	1
17	B004 5606	AC Switch Harness	1
18	G065 5055	BICU Board	1
19	B004 5831	IOB Bracket	1
20	G065 5125	IOB Board	1
21	A232 5403	Harness - IOB / pFB	1
22	G065 5451	DC Harness - Front Lower	1
23	G065 5479	Bridge Unit Harness	1
24	G065 5450	DC Harness - Front Upper	1
25	B004 5452	DC Harness - Front Upper	1

Index No.	Part No.	Description	Q'ty Per Assembly
101	1204 2466	Micro Switch - V-16506-1C25	
102	0451 3006B	Tapping Screw - M3x6	
103	1204 2521	Micro Switch	
104	1204 2529	Switch - V-5F912DN	
105	1204 2477	Locker Switch - AC250V 10A	
106	1105 0310	Harness Clamp - LWS-1S	
107	1102 6246	Relay Connector - 4P	
108	1102 6263	Connector - 6P	
109	1102 6260	Relay Connector - 3P	
110	1102 6245	Relay Connector - 2P	
111	1102 6259	Connector - 2P	
112	1105 0192	Locking Support	
113	1105 0437	Locking Support - Fgs-4s	
114	0451 4006B	Tapping Screw - 4x6	

# 25.ELECTRICAL SECTION 2 (G065)

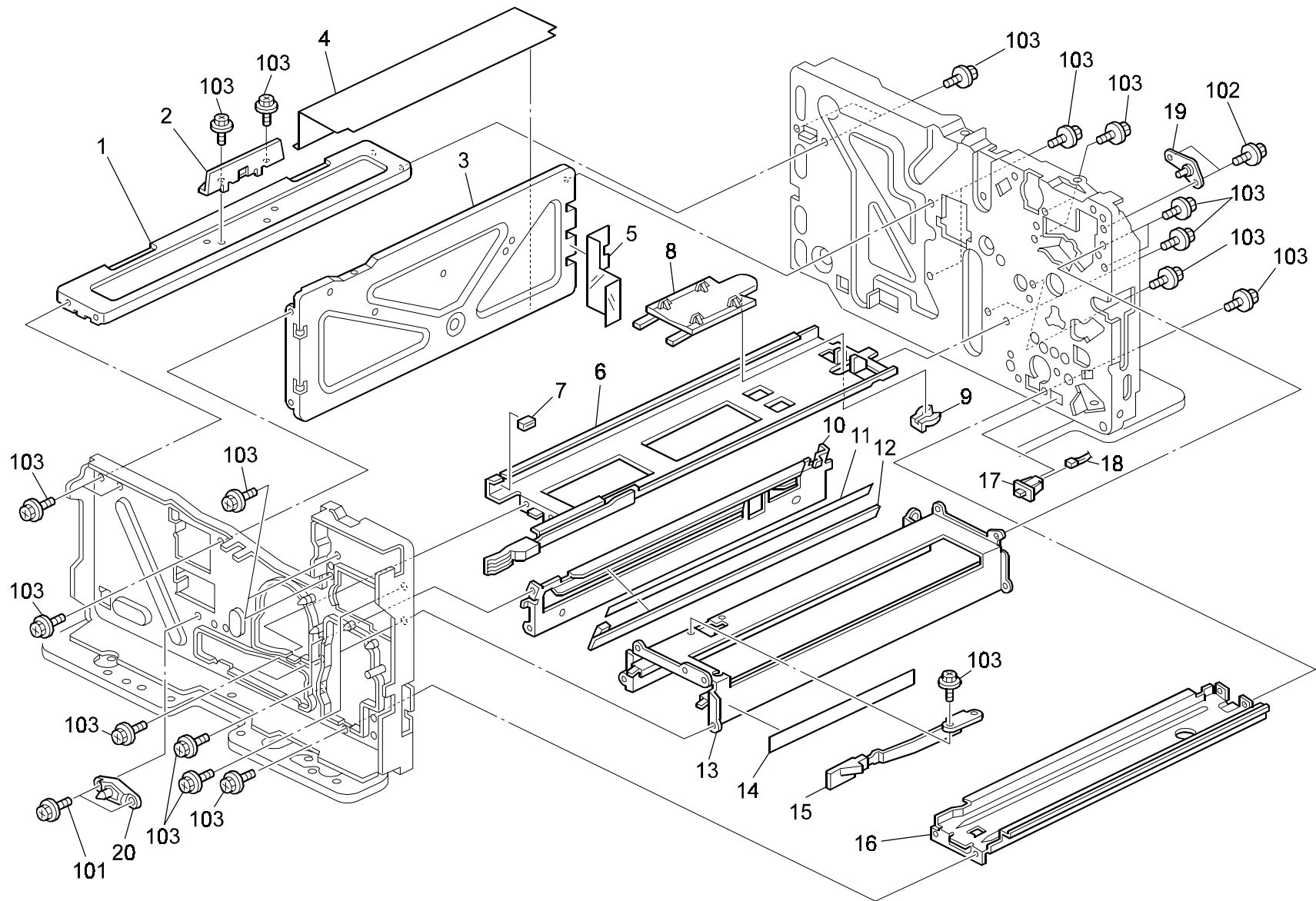


## 25.ELECTRICAL SECTION 2 (G065)

Index No.	Part No.	Description	Q'ty Per Assembly
1	AX64 0113	Fan Motor - 80mm - DC 2.4W	1
2	A232 1172	Duct - Cooling Fan	1
3	AA14 3301	Stepped Screw - M3x4	3
4	B004 5609	Main Harness - Fusing Unit (120V)	1
4	B004 5608	Main Harness - Fusing Unit (230V)	1
5	B004 1081	Bracket - Fusing Connector	1
6	AZ32 0086	High Voltage Supply - CBT	1
7	B004 5812	Bracket - High Voltage Supply	1
8	B004 5811	Bracket - High Voltage Supply	1
9	B004 1093	Rear Stay	1
10	A232 5410	Finiser Connector	1
11	B004 5897	Connector Bracket	1
12	B004 1089	Rear Stay	1
13	B004 5898	Bracket - Power Supply Cord	1
14	AZ24 0070	Power Supply Unit - 120V	1
14	AZ24 0071	Power Supply Unit - 230V	1
15	G065 5520	Harness - DC Power Supply	1
16	A232 5526	Power Supply Cord - 115V	1
16	A232 5527	Power Supply Cord - 230V	1
17	G065 5522	Harness - Safety Switch	1
18	A232 7757	Bracket - Circuit Breaker	1
19	A232 7756	Harness - Circuit Breaker	1

Index No.	Part No.	Description	Q'ty Per Assembly
101	0451 3006B	Tapping Screw - M3x6	
102	0451 4016B	Tapping Screw - M4-16	
103	1105 0488	Harness Clamp	
104	0450 4035B	Philips Tapping Screw - M4x35	
105	1105 0310	Harness Clamp - LWS-1S	
106	1107 0908	Fuse - 10A 125V	
107	1107 0906	Fuse - 4A 125V	
107	1107 0921	Fuse - 4A 250V	
108	1107 0907	Fuse - 6.3A 125V	
108	1107 0920	Fuse - 6.3A 250V	
109	1107 0910	Fuse - 2A 125V	
109	1107 0922	Fuse - 2A 250V	
110	0451 3008H	Tapping Screw - M3x8	
111	0801 0149	Philips Pan Head Screw - M4x6	
112	1107 0472	Circuit Breaker - W28XQ1A 8A 25V	

# 26.FRAME SECTION 1 (G065)



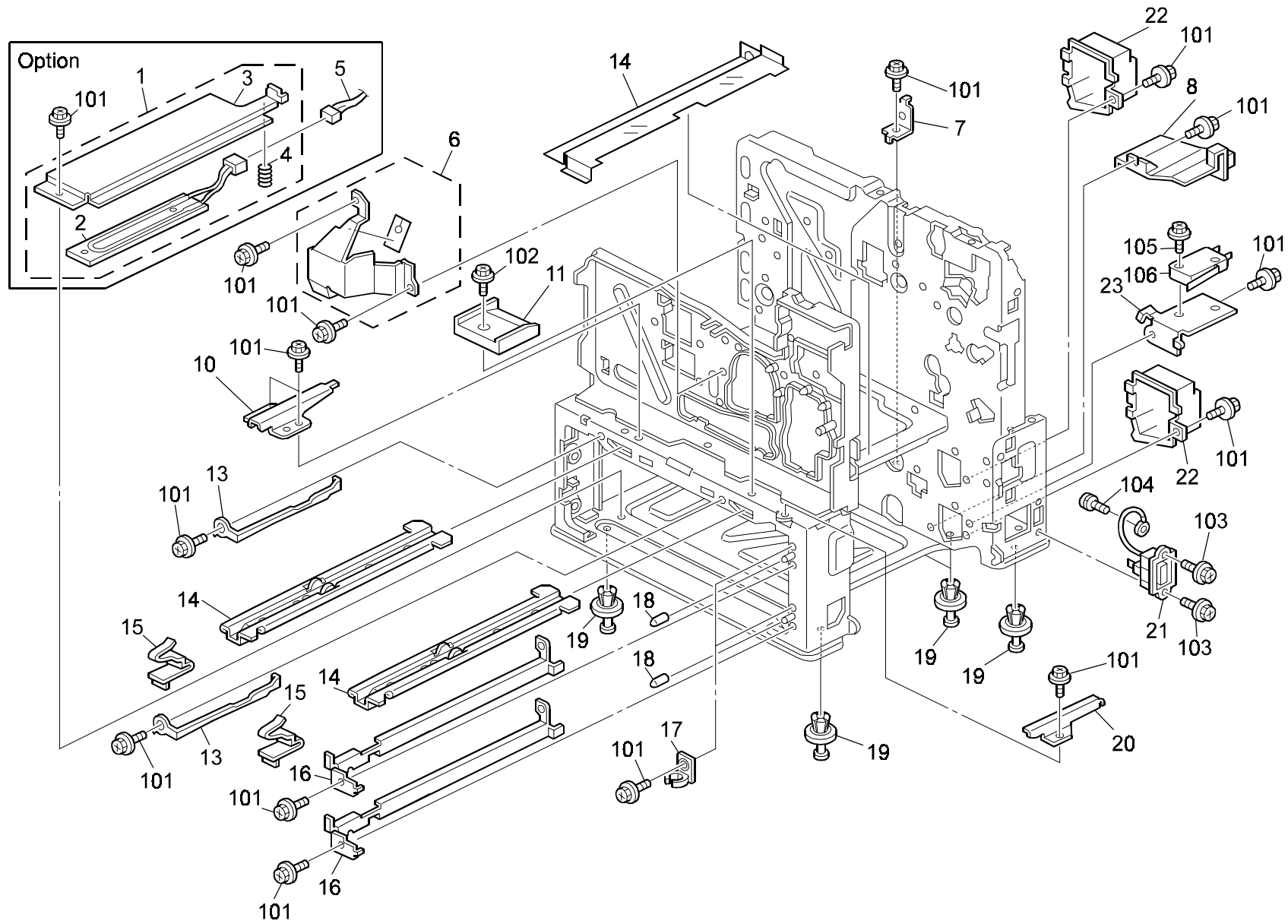
## 26.FRAME SECTION 1 (G065)

Index No.	Part No.	Description	Q'ty Per Assembly
1	A232 1082	Left Stay - Paper Exit	1
2	A232 1083	Bracket - Bridge Unit	1
3	A232 1081	Center Frame	1
4	A232 1089	Upper Plate - Laser Unit	1
5	AA15 0684	Shield Plate	1
6	B004 3210	Guide - Toner Supply Unit	1
7	A232 3264	Stopper - Slide Rail	1
8	B004 3215	Toner Bottle Holder	1
9	5206 2686	Snap Ring	1
10	A232 2362	PCU Stay	1
11	A267 3455	Magnetic - Discharge Lamp	1
12	AX50 0046	Quenching Lamp	1
13	A232 1075	Guide Rail - Fusing Unit	1
14	B004 4122	Decal - Warning	1
15	G034 4201	Stopper - Fusing Unit	1
16	G065 1090	Supporter - Development Unit	1
17	G020 5626	Push Switch	1
18	G065 5467	Relayharness - Push Switch	1
19	A232 4780	Pin - Stopper	1
20	A232 1937	Positing Pin - Laser Unit Ass'y	1

Index No.	Part No.	Description	Q'ty Per Assembly
101	0451 3008B	Tapping Screw - M3x8	
102	0802 5276	Tapping Screw With Washer - M3x6	
103	0451 3006B	Tapping Screw - M3x6	



# 27.FRAME SECTION 2 (G065)

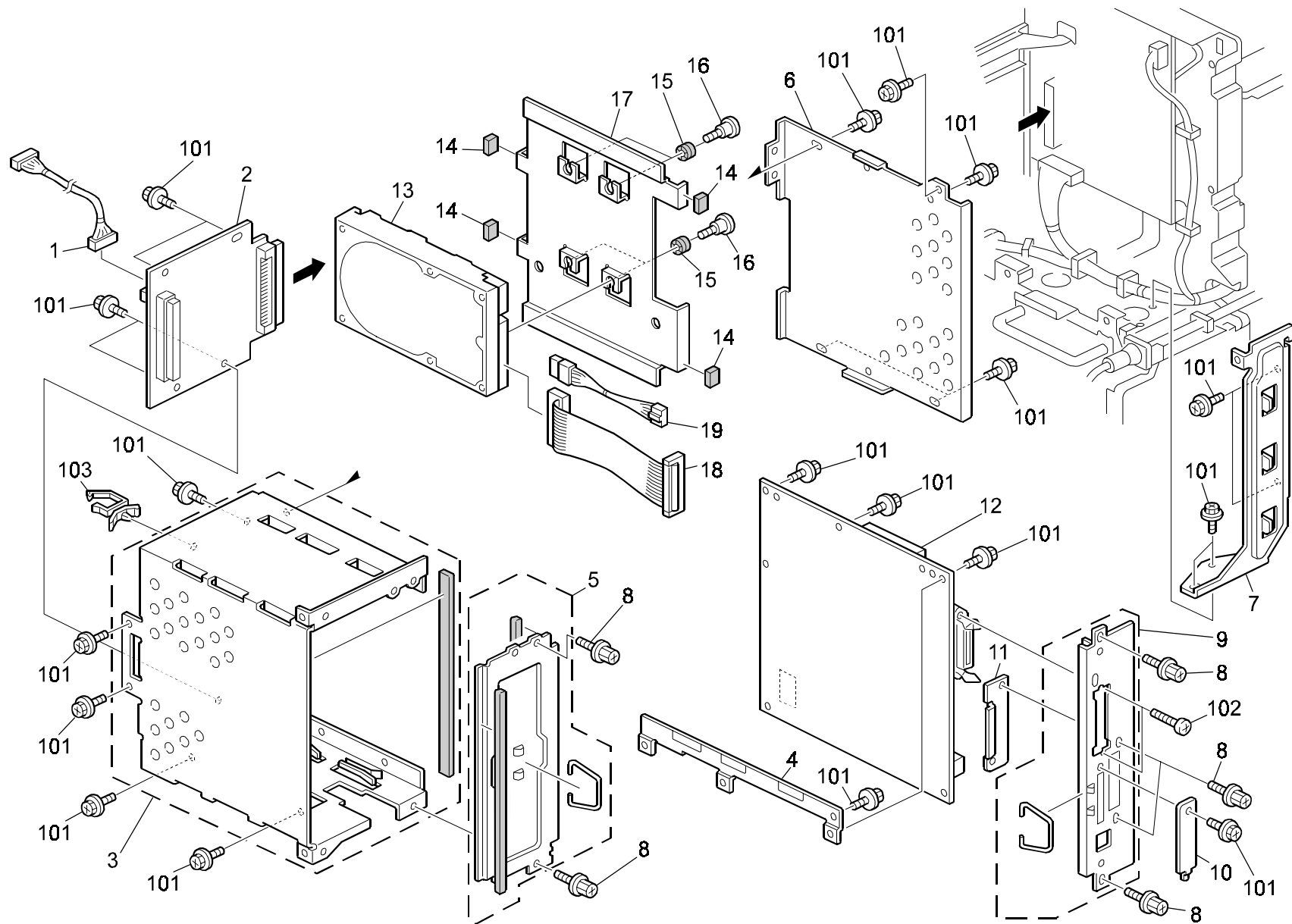


## 27.FRAME SECTION 2 (G065)

Index No.	Part No.	Description	Q'ty Per Assembly
1	A230 2520	Heat Sink - Heater	1
2	AX40 0137	Heater - 120V 9W	1
2	AX40 0138	Heater - 230V 9W	1
3	A230 2520	Heat Sink - Heater	1
4	A230 2525	Heater Stopper	1
5	G065 5610	Option Heater Harness	1
6	B004 1968	Shield Plate Ass'y - LDDR	1
7	B004 1061	Stay Bracket - Vertical Rear	1
8	B004 1320	Base Cover	1
9	B004 2597	Sheet - Separation Plate	1
10	A232 1266	Left Hinge - Front Cover	1
11	G065 3275	Guide - Development Unit	1
12	A230 2688	Film - Stay - Upper Front	1
13	A230 2699	Stopper - Front Grip	2
14	A230 2696	Front Grip	2
15	A230 2693	Front Stopper	2
16	A232 2990	Guide Rail - Paper Tray	2
17	A232 2995	Front Positioning Guide	1
18	B004 2995	Cap - Positioning	2
19	AH01 0009	Rubber Pad - H5	4
20	A232 1267	Right Hinge - Front Cover	1
21	A232 5410	Finisher Connector	1
22	A232 2692	Cover - Paper Drive	2
23	A232 2882	Bracket - Micro Switch	1

Index No.	Part No.	Description	Q'ty Per Assembly
101	0451 3006B	Tapping Screw - M3x6	
102	0451 3005W	Tapping Screw - 3x5	
103	0451 3008H	Tapping Screw - M3x8	
104	0801 0149	Philips Pan Head Screw - M4x6	
105	0451 3014B	Tapping Screw - M3-14	
106	1204 2529	Switch - V-5F912DN	

## 28.EXPANSION BOX/HDD (G065/G334)



## 28.EXPANSION BOX/HDD (G065/G334)

Index No.	Part No.	Description	Q'ty Per Assembly
1	G065 5470	Harness - Operation Panel	1
2	G065 5192	Mother Board	1
3	B004 5871	Expansion Box	1
4	G065 5856	Bracket - Controller Board	1
5	G065 5885	Printer Rack Panel	1
6	B004 5876	Rack Stay	1
7	B004 1082	Support Plate - Scanner Arm	1
8	G034 2993	Flanged Hexagonal Head Bolt - M3x6	6
9	G065 5850	Control Board Bracket	1
10	G065 5893	Card Cover	1
11	G065 5858	Option Cover	1
12	G065 6022	Controller Board	1
13	A691 5862	HDD - ATA QLCT20-10G	1
14	G523 5837	Cushion - HDD Bracket	4
15	AA16 1125	Rubber Cushion	4
16	AA14 3499	Stepped Screw	4
17	G334 5861	HDD Bracket	1
18	G334 5477	HDD Harness - 40P	1
19	G334 5476	Power Source Harness	1

Index No.	Part No.	Description	Q'ty Per Assembly
101	0451 3006B	Tapping Screw - M3x6	
102	0353 0080Z	Philips Trass Head Screw - M3x8	
103	1105 0488	Harness Clamp	

## 29.IOB BOARD (G065)

### CAPACITOR

SYMBOL NO.	INDEX NO.	SYMBOL NO.	INDEX NO.	SYMBOL NO.	INDEX NO.	SYMBOL NO.	INDEX NO.	SYMBOL NO.	INDEX NO.	SYMBOL NO.	INDEX NO.	SYMBOL NO.	INDEX NO.
C101	168	C111	174	C121	174	C131	174	C141	174	----	---	C161	174
----	---	C112	174	C122	174	C132	174	C142	174	C152	174	C162	169
C103	171	C113	174	C123	174	----	---	C143	167	C153	174	C163	174
C104	174	C114	174	C124	174	C134	171	C144	174	C154	174	C164	174
C105	174	C115	171	C125	174	C135	171	C145	174	C155	174	C165	174
C106	169	C116	174	C126	174	C136	175	C146	166	C156	174	C166	174
C107	171	C117	174	C127	174	C137	172	C147	166	C157	169	C167	174
C108	174	C118	174	C128	174	C138	172	C148	167	C158	174	C168	174
C109	174	C119	174	C129	174	C139	172	C149	166	C159	174	C169	169
C110	169	C120	174	C130	174	C140	172	C150	174	C160	174	C170	174

### CAPACITOR

SYMBOL NO.	INDEX NO.	SYMBOL NO.	INDEX NO.	SYMBOL NO.	INDEX NO.	SYMBOL NO.	INDEX NO.	SYMBOL NO.	INDEX NO.	SYMBOL NO.	INDEX NO.	SYMBOL NO.	INDEX NO.
C171	174	C181	175	C191	174	C201	174	----	---	C301	174	CN201	103
C172	171	C182	174	C192	171	C202	173	C212	174	C302	174	CN202	110
C173	175	C183	174	C193	174	C203	175	C213	174	C303	174	CN203	116
C174	171	C184	174	C194	174	C204	175	C214	171	C304	174	CN205	107
C175	169	---	---	C195	170	C205	173	C215	174	C310	174	CN206	108
C176	171	C186	171	C196	170	C206	174	----	---			CN207	114
C177	171	C187	174	C197	174	C207	174	C217	175			CN208	117
C178	169	C188	175	C198	174	C208	173	C218	175			CN209	115
C179	174	C189	171	C199	174	C209	174	C219	174			CN213	118
C180	175	C190	174	C200	174	C210	174	C220	175			CN217	105

### CONNECTOR

## 29.IOB BOARD (G065)

### CONNECTOR

SYMBOL NO.	INDEX NO.
CN218	106
CN219	111
CN220	113
CN221	112
CN222	104
CN224	102
CN225	101
CN226	109

### DIODE

SYMBOL NO.	INDEX NO.
D101	124
D102	124
D103	124
D104	124
D105	124
D106	124
D107	124
D108	124
D109	124
D110	124

SYMBOL NO.	INDEX NO.
D111	124
D112	124

### DA

SYMBOL NO.	INDEX NO.
DA101	122
DA102	122
DA103	122
DA104	123
DA105	123

### IC

SYMBOL NO.	INDEX NO.
IC101	135
IC102	132
IC103	137
IC104	1
IC105	130
IC106	136
IC107	132
IC108	134
IC109	131
IC111	138

SYMBOL NO.	INDEX NO.
IC112	138
IC113	130
IC115	135
IC121	132

### OSC

SYMBOL NO.	INDEX NO.
OSC101	139

### Q

SYMBOL NO.	INDEX NO.
Q101	129
Q102	133
Q103	133
Q104	133
Q105	133
Q106	121
Q107	120

### RESISTOR

SYMBOL NO.	INDEX NO.
R101	140
R102	140
R105	145
R106	143
R107	161
R108	145
R109	146
R110	146
R111	162
R112	145

SYMBOL NO.	INDEX NO.
R113	161
R114	146
R115	146
R116	145
R117	146
R118	144
R119	146
R120	146
R121	146
R122	146

SYMBOL NO.	INDEX NO.
R123	145
R124	152
R125	152
R126	145
R127	159
R128	145
R130	145
R131	159
R132	145
R134	145

SYMBOL NO.	INDEX NO.
R136	146
R137	164
R138	159
R139	145
R141	165
R142	157
R143	151
R150	149
R151	153
R152	154

SYMBOL NO.	INDEX NO.
R153	149
R154	149
R155	153
R156	153
R157	154
R158	154
R162	151
R163	145
R164	152
R165	156

SYMBOL NO.	INDEX NO.
R166	156
R167	153
R168	145
R169	151
R170	146
R171	146
R172	153
R173	153
R174	151
R175	153

## 29.IOB BOARD (G065)

### RESISTOR

SYMBOL NO.	INDEX NO.	SYMBOL NO.	INDEX NO.	SYMBOL NO.	INDEX NO.	SYMBOL NO.	INDEX NO.	SYMBOL NO.	INDEX NO.	SYMBOL NO.	INDEX NO.	SYMBOL NO.	INDEX NO.
R176	151	R190	146	R201	148	R211	159	R222	152	R310	145	R321	146
R177	154	R191	146	R202	155	R212	160	R301	151	R311	152		
R179	153	R192	146	R203	153	R213	159	R302	151	R312	153		
R180	161	R193	145	R204	153	R214	159	R303	145	R313	145		
R181	145	R194	146	R205	163	R215	160	R304	145	R315	148		
R183	162	R195	144	R206	150	R216	146	R305	147	R316	146		
R184	146	R197	146	R207	150	R217	144	R306	146	R317	146		
R185	146	R198	146	R208	153	R218	151	R307	145	R318	146		
R186	161	R199	151	R209	163	R219	145	R308	145	R319	146		
R188	158	R200	151	R210	160	R220	153	R309	153	R320	146		

### RN

SYMBOL NO.	INDEX NO.	SYMBOL NO.	INDEX NO.	SYMBOL NO.	INDEX NO.
RN101	142	RN111	141	RN121	142
RN102	142	RN112	142	RN122	142
RN103	141	RN113	141	RN123	141
RN104	141	RN114	141	RN124	141
RN105	141	RN115	142	RN125	142
RN106	142	RN116	141	RN126	142
RN107	141	RN117	142	RN127	142
RN108	141	---	---	RN128	141
RN109	141	RN119	141	RN129	141
RN110	142	RN120	141	RN130	141

### SWITCH

SYMBOL NO.	INDEX NO.
SW101	119

### THERMISTOR

SYMBOL NO.	INDEX NO.
TH101	128

### ZD

SYMBOL NO.	INDEX NO.
ZD101	125
ZD102	125
ZD103	125
ZD104	125
ZD105	126
ZD106	125
ZD107	127
ZD108	127

## 29.IOB BOARD (G065)

Index No.	Part No.	Description	Q'ty Per Assembly
*	G065 5125	IOB Board	1
1	A232 5355	IC - GATEX	1

Index No.	Part No.	Description	Q'ty Per Assembly
101	1102 4201	Connector - 2P	
102	1102 5305	Connector - 6P	
103	1102 5306	Connector - 7P	
104	1102 6299	Connector - 6P	
105	1102 6301	Connector - 8P	
106	1102 6306	Connector - 13P	
107	1102 6319	Connector - 12P	
108	1102 6334	Connector - 3P	
109	1102 6337	Connector - 6P	
110	1102 6339	Connector - 8P	
111	1102 6342	Connector - 11P	
112	1102 6349	Connector	
113	1102 6354	Connector	
114	1102 6396	Connector - 1P	
115	1102 6401	Connector - 26P	
116	1102 6402	Connector - 2P	
117	1102 6896	Connector - 50P	
118	1102 7700	Connector - 50P	
119	1204 1543	DIP Switch	
120	1400 0398	Transistor - 2SC2412K	
121	1400 0556	Transistor - DTB143EK	
122	1402 1142	Diode Array - DAN217	
123	1402 1322	Diode Array - DAN202U	
124	1402 1336	Diode - 1SS355	
125	1402 1378	Diode - PTZ12A	
126	1402 1380	Diode - PTZ 6.2A	
127	1402 1572	Diode - HZU3ALL	
128	1404 0360	Thermistor - 103ht	
129	1407 1535	IC - TD62308AP	
130	1407 1596	TTLIC - SN74LS14NS	
131	1407 1880	TTLIC - SN74LS04NS	
132	1407 2187	TTLIC - SN74LS07NS	
133	1407 2219	IC - TD62003AP	
134	1407 3290	IC - TC74HC02AF	
135	1407 4687	IC - TA8083F	



Index No.	Part No.	Description	Q'ty Per Assembly
136	1407 5085	IC - TC4066BF(N)	
137	1408 1065	Comparator - BA10339F	
138	1408 1095	IC - BA10324AF	
139	1503 0865	Oscillator - 9.8304MHZ	
140	1601 5477	Resistor - 330Ω ±5% 1W	
141	1601 7752	Resistor Array - 10K Ω ±5%	
142	1601 7791	Resistor Array - 1K Ω ±5%	
143	1630 2221	Resistor - 220 Ω	
144	1630 4100	Resistor - 10 Ω ±5% 1/16W	
145	1630 4102	Resistor - 1.0KΩ ±5% 1/16W	
146	1630 4103	Resistor - 10KΩ ±5% 1/16W	
147	1630 4104	Resistor - 100 Ω ±5% 1/16W	
148	1630 4105	Resistor - 1.0MΩ ±5% 1/16W	
149	1630 4161	Resistor - 160 Ω ±5% 1/16W	
150	1630 4204	Resistor - 200KΩ ±5% 1/16W	
151	1630 4222	Resistor - 2.2K Ω ±5%	
152	1630 4223	Resistor - 22K Ω ±5% 1/16W	
153	1630 4472	Resistor - 4.7KΩ ±5% 1/16W	
154	1630 4562	Resistor - 5.6k Ω - ±5% - 1/16W	
155	1630 4681	Resistor - 680 Ω ±5% 1/16W	
156	1630 4821	Resistor - 820 Ω ±5% 1/16W	
157	1631 1000	Resistor - 100 Ω ±1% 1/4W	
158	1634 1002	Resistor - 10 Ω ±5% 1/16W	
159	1634 1003	Resistor - 100KΩ ±1% 1/16W	
160	1634 1403	Resistor - 140kΩ ±1% 1/16W	
161	1634 2002	Resistor - 20K Ω ±1% 1/16W	
162	1634 2401	Resistor - 2.4KΩ ±1% 1/16W	
163	1634 2402	Resistor - 24K Ω ±1% 1/16W	
164	1634 4641	Resistor - 4.64KΩ ±1% 1/16W	
165	1634 5621	Resistor - 5.62KΩ ±1% 1/16W	
166	1640 2470	Capacitor - 47μF±20% 25V	
167	1640 5101	Capacitor - 100μF±20% 50V	
168	1642 5330	Capacitor - 33μF±20% 50V	
169	1660 2101	Capacitor - 100pF - ±10% - 50V	
170	1660 2270	Capacitor - 27pF ±20% 35V	

Index No.	Part No.	Description	Q'ty Per Assembly
171	1660 2471	Capacitor - 470pF - ±5% - 50V	
172	1660 4102	Capacitor - 1000pF ±10% 50V	
173	1660 4472	Capacitor - 4700pF±10% 50V	
174	1660 6103	Capacitor - 10000pF - +80%-20%50V	
175	1660 8104	Capacitor - 0.1μF+80-20% 25V	

### 30.BICU BOARD (G065)

#### CAPACITOR

SYMBOL NO.	INDEX NO.	SYMBOL NO.	INDEX NO.	SYMBOL NO.	INDEX NO.	SYMBOL NO.	INDEX NO.	SYMBOL NO.	INDEX NO.	SYMBOL NO.	INDEX NO.	SYMBOL NO.	INDEX NO.
C101	138	C111	155	C121	160	C131	156	C146	159	C159	164	C169	156
C102	138	C112	155	C122	164	C132	156	C147	160	C160	156	C170	156
C103	164	C113	156	C123	160	C133	160	C150	164	C161	164	C171	156
C104	160	C114	164	C124	156	C138	137	C151	139	C162	156	C172	156
C105	164	C115	164	C125	164	C139	164	C152	162	C163	156	C173	164
C106	155	C116	164	C126	156	C140	158	C154	160	C164	156	C174	160
C107	155	C117	160	C127	156	C141	164	C155	160	C165	156	C175	161
C108	160	C118	164	C128	164	C142	160	C156	156	C166	156	C176	160
C109	164	C119	161	C129	156	C144	164	C157	161	C167	156	C177	160
C110	155	C120	164	C130	156	C145	164	C158	160	C168	156	C178	164

#### CAPACITOR

SYMBOL NO.	INDEX NO.	SYMBOL NO.	INDEX NO.	SYMBOL NO.	INDEX NO.
C179	164	C189	160	C207	164
C180	160	C190	160	C208	163
C181	160	C191	164	C209	164
C182	164	C192	157	C210	160
C183	164	C193	164	C211	164
C184	160	C194	160	C212	160
C185	164	C202	160	C213	160
C186	160	C203	164	C214	164
C187	164	C205	157	C215	164
C188	164	C206	158	C216	164

#### CONNECTOR

SYMBOL NO.	INDEX NO.	SYMBOL NO.	INDEX NO.
C217	160	CN301	103
C219	164	CN302	108
C228	160	CN303	107
C229	160	CN307	104
		CN308	105
		CN310	106
		CN312	102
		CN313	101

#### DIODE

SYMBOL NO.	INDEX NO.
D101	111
D102	111
D103	111

#### IC

SYMBOL NO.	INDEX NO.
IC101	120
IC102	120
IC103	2
IC104	122
IC105	121
IC106	3
IC107	117
IC108	117
IC109	---
IC110	1

### 30.BICU BOARD (G065)

#### IC

SYMBOL NO.	INDEX NO.
IC112	116
IC113	116
IC114	165
IC115	123
IC116	118
IC118	119

#### JP

SYMBOL NO.	INDEX NO.
JP101	154
JP102	154
JP103	154
JP105	154
JP106	154

#### LED

SYMBOL NO.	INDEX NO.
LED101	115
LED102	114

#### OSC

SYMBOL NO.	INDEX NO.
OSC101	128
OSC102	127
OSC103	126

#### Q

SYMBOL NO.	INDEX NO.
Q101	109
Q102	109
Q103	109
Q104	109
Q105	109
Q106	110
Q107	109

#### RESISTOR

SYMBOL NO.	INDEX NO.
R101	150
R102	150
R103	150
R104	147
R105	140
R106	140
R107	141
R108	147
R109	140
R115	151

SYMBOL NO.	INDEX NO.
R116	140
R118	151
R119	141
R120	147
R121	147
R122	140
R123	147
R124	140
R125	147
R126	141

#### RESISTOR

SYMBOL NO.	INDEX NO.
R127	140
R128	147
R129	140
R130	152
R131	152
R132	140
R134	145
R135	140
R136	140
R137	145

SYMBOL NO.	INDEX NO.
R138	140
R139	140
R140	140
R141	147
R142	147
R144	140
R147	140
R148	140
R149	140
R150	141

SYMBOL NO.	INDEX NO.
R151	147
R152	150
R155	143
R158	150
R159	140
R160	140
R170	140
R172	140
R173	140
R174	140

SYMBOL NO.	INDEX NO.
R175	140
R176	147
R177	147
R178	150
R179	140
R180	147
R181	147
R183	140
R184	140
R185	140

SYMBOL NO.	INDEX NO.
R186	141
R187	145
R188	153
R189	153
R190	147
R191	140
R192	142
R194	140
R195	140
R196	141

SYMBOL NO.	INDEX NO.
R197	149
R198	147
R199	147
R200	150
R201	141
R202	150
R203	142
R204	150
R205	150
R206	146

SYMBOL NO.	INDEX NO.
R207	140
R210	147
R212	147
R213	150
R215	140
R220	140
R221	148
R222	144
R223	147
R224	140

### 30.BICU BOARD (G065)

#### RESISTOR

SYMBOL NO.	INDEX NO.
R225	140
R226	140
R227	140
R228	140
R229	140

#### REG

SYMBOL NO.	INDEX NO.
REG101	124
REG102	124
REG103	125

#### RN

SYMBOL NO.	INDEX NO.
RN101	134
RN102	134
RN103	134
RN104	131
RN105	131
RN106	131
RN107	130
RN108	136
RN109	136
RN110	134

SYMBOL NO.	INDEX NO.
RN111	130
RN112	---
RN113	---
RN114	130
RN115	136
RN116	134
RN117	136
RN118	134
RN119	130
RN120	130

SYMBOL NO.	INDEX NO.
RN121	136
RN122	134
RN123	136
RN124	134
RN125	130
RN126	130
RN127	136
RN128	136
RN129	130
RN130	134

SYMBOL NO.	INDEX NO.
RN131	130
RN132	136
RN133	136
RN134	134
RN135	130
RN136	131
RN137	130
RN138	136
RN139	131
RN140	136

SYMBOL NO.	INDEX NO.
RN141	131
RN142	131
RN143	129
RN144	131
RN145	129
RN146	129
RN147	129
RN148	134
RN149	---
RN150	---

#### RN

SYMBOL NO.	INDEX NO.
RN151	---
RN152	---
RN153	129
RN154	134
RN155	136
RN156	129
RN157	132
RN158	129
RN159	129
RN160	129

SYMBOL NO.	INDEX NO.
RN161	129
RN162	134
RN163	129
RN164	134
RN165	133
RN166	133
RN167	134
RN168	---
RN169	---
RN170	134

SYMBOL NO.	INDEX NO.
RN171	129
RN172	133
RN173	133
RN174	129
RN175	---
RN176	---
RN177	134
RN178	134
RN179	134
RN186	129

#### ZD

SYMBOL NO.	INDEX NO.
ZD101	113
ZD102	113
ZD103	112

### 30.BICU BOARD (G065)

Index No.	Part No.	Description	Q'ty Per Assembly
*	G065 5055	BICU Board	1
1	B004 5120	IC - HG71C114FL	1
2	B004 5250	IC - CDIC RL5C481	1
3	B004 5260	IC - VIPU_S KS5M9U1198CFP	1

Index No.	Part No.	Description	Q'ty Per Assembly
101	1102 5305	Connector - 6P	
102	1102 6297	Connector - 4P	
103	1102 6595	Connector - 11P	
104	1102 7196	Connector - 50P	
105	1102 7389	Connector - FH12-50S-0.5SV	
106	1102 7456	Connector - 176125-5	
107	1102 8243	Connector - FH12-33S-0.5SV	
108	1102 8272	Connector - TX25-100P-12ST-H1	
109	1400 0392	Transistor - DTC114EK	
110	1400 0398	Transistor - 2SC2412K	
111	1402 1336	Diode - 1SS355	
112	1402 1345	Diode - UDZ3.6B	
113	1402 1380	Diode - PTZ 6.2A	
114	1403 0907	Diode - SML-310LT	
115	1403 0978	LED - SML-310DT	
116	1407 2187	TTLIC - SN74LS07NS	
117	1407 2218	TTLIC - SN74LS06NS	
118	1407 4771	IC - MC68334GFC16	
119	1407 4827	IC - MBM29F400BC-70pFTN-SFK	
120	1407 4876	CMOS IC - 74VHC244 TSSOP	
121	1407 4879	CMOS IC - 74VHC74 TSSOP	
122	1408 0892	IC - RH5VL30A	
123	1408 1041	IC - MB3793-42	
124	1408 1295	IC - UPC2933T	
125	1408 1470	Series Regulator - TA18M025F	
126	1503 0460	Oscillator - 32.768KHZ	
127	1503 0936	Crystal Oscillator - 19.6608MHz	
128	1503 0937	Crystal Oscillator - 40.97MHz	
129	1601 7752	Resistor Array - 10K $\Omega$ $\pm$ 5%	
130	1601 7759	Resistor Array - 100K $\Omega$ $\pm$ 5% 0.06	
131	1601 7791	Resistor Array - 1K $\Omega$ $\pm$ 5%	
132	1601 7796	Resistor Array - 2.2KO	
133	1601 7814	Resistor - 3.3K $\Omega$ $\pm$ 5%	
134	1601 7867	Resistor - 33 $\Omega$ $\pm$ 5% 1/16W	
135	1601 7869	Resistor - 1.2K $\Omega$ $\pm$ 5% 1/16W	



## 31.CONTROLLER BOARD (G065)

### CAPACITOR

SYMBOL NO.	INDEX NO.	SYMBOL NO.	INDEX NO.	SYMBOL NO.	INDEX NO.	SYMBOL NO.	INDEX NO.	SYMBOL NO.	INDEX NO.	SYMBOL NO.	INDEX NO.	SYMBOL NO.	INDEX NO.
C1	218	C14	163	C51	215	C61	208	C89	218	C101	217	C111	215
C2	215	C15	218	C52	218	C72	218	C90	215	C102	217	C112	162
C3	215	C16	215	C53	218	C73	215	C91	218	C103	217	---	---
C4	218	C17	218	C54	218	C74	218	C93	215	---	---	C114	218
C6	215	C18	215	C55	218	C75	---	C94	218	C105	206	C115	215
C7	218	C46	214	C56	218	C76	218	C95	217	C106	206	C116	208
C8	157	C47	210	C57	218	C77	218	C96	206	C107	217	C117	218
C9	156	C48	216	C58	218	C78	218	C97	217	C108	162	C118	215
C10	218	C49	217	C59	215	C79	218	C99	217	C109	209	C119	---
C11	156	C50	218	C60	218	C83	161	C100	206	C110	212	C120	218

### CAPACITOR

SYMBOL NO.	INDEX NO.	SYMBOL NO.	INDEX NO.	SYMBOL NO.	INDEX NO.	SYMBOL NO.	INDEX NO.	SYMBOL NO.	INDEX NO.	SYMBOL NO.	INDEX NO.	SYMBOL NO.	INDEX NO.
C121	209	C140	215	C159	218	C171	215	C181	217	C191	215	C201	218
C122	209	C141	218	C160	215	C172	208	C182	215	C192	217	C202	215
C126	209	C144	218	C161	218	C173	215	C183	208	C193	208	C203	218
C129	215	C145	215	C162	215	C174	217	C184	217	C194	215	C204	215
C130	218	C147	158	C163	215	C175	208	C185	215	C195	217	C205	---
C134	218	C149	218	C164	218	C176	215	C186	208	C196	218	C206	---
C135	---	C153	218	C165	218	C177	217	C187	217	C197	215	C207	---
C137	218	C154	215	C166	215	C178	208	C188	215	C198	---	C208	---
C138	215	C157	218	C169	218	C179	215	C189	208	C199	218	C209	218
C139	156	C158	215	C170	208	C180	208	C190	217	C200	215	C210	215

## 31.CONTROLLER BOARD (G065)

### CAPACITOR

SYMBOL NO.	INDEX NO.	SYMBOL NO.	INDEX NO.	SYMBOL NO.	INDEX NO.	SYMBOL NO.	INDEX NO.	SYMBOL NO.	INDEX NO.	SYMBOL NO.	INDEX NO.	SYMBOL NO.	INDEX NO.
C211	218	C221	215	C231	215	C250	218	C260	206	C272	217	C282	218
C212	208	C222	165	C232	208	C251	218	C261	215	C273	218	C283	218
C213	208	C223	165	C233	218	C252	215	C262	215	C274	218	C287	218
C214	218	C224	165	C243	165	C253	218	C263	218	C275	208	C289	164
C215	215	C225	165	C244	165	C254	218	C264	218	C276	208	C290	---
C216	208	C226	165	C245	218	C255	217	C267	218	C277	208	C291	---
C217	218	C227	165	C246	215	C256	217	C268	218	C278	208	C292	---
C218	218	C228	215	C247	215	C257	217	C269	---	C279	215	C293	218
C219	208	C229	215	C248	218	C258	218	C270	---	C280	218	C294	160
C220	215	C230	218	C249	215	C259	218	C271	---	C281	215	C295	161

### CAPACITOR

SYMBOL NO.	INDEX NO.	SYMBOL NO.	INDEX NO.	SYMBOL NO.	INDEX NO.	SYMBOL NO.	INDEX NO.	SYMBOL NO.	INDEX NO.	SYMBOL NO.	INDEX NO.		
C296	160	C308	208	C323	208	C336	208	C350	206	CN501	103	D1	119
C298	218	C311	218	C324	218	C337	215	C351	206	CN503	110	D2	119
C299	215	C312	215	C325	208	C339	218	C352	218	CN504	109	D3	121
C300	213	C313	215	C327	218	C340	---	C353	165	CN505	106	D6	118
C302	211	C315	218	C330	215	C341	165	C354	165	CN506	102	D7	120
C303	218	C316	215	C331	218	C343	165			CN509	108		
C304	215	C317	215	C332	159	C344	165			CN513	107		
C305	208	C320	159	C333	208	C345	165			CN514	101		
C306	218	C321	208	C334	208	C346	165			CN515	104		
C307	218	C322	215	C335	215	C349	206			CN518	105		

### CONNECTOR

### DIODE



### 31.CONTROLLER BOARD (G065)

#### FILTER

SYMBOL NO.	INDEX NO.
FIL2	168
FIL3	168
FIL4	176
FIL5	168
FIL9	170
FIL10	168

#### IC

SYMBOL NO.	INDEX NO.
IC1	2
(Socket)	111
IC3	127
---	---
IC5	124
---	---
IC7	133
IC8	130
IC9	220
IC10	124

SYMBOL NO.	INDEX NO.
IC11	---
IC12	139
IC13	124
IC14	220
IC15	220
IC16	3
IC17	126
IC18	128
---	---
---	---

SYMBOL NO.	INDEX NO.
IC21	220
IC22	128
IC23	219
IC24	219
---	---
IC26	125
IC27	124
IC28	131
IC29	130
---	---

SYMBOL NO.	INDEX NO.
---	---
IC32	134
IC33	---
IC34	1
IC35	128
---	---
IC38	132
(Socket)	112
IC39	123
IC40	135

SYMBOL NO.	INDEX NO.
IC41	141
IC42	140
IC43	143
IC44	142
IC45	145
IC46	128
IC47	136
IC48	137
IC49	138
IC50	129

#### JP

SYMBOL NO.	INDEX NO.
JP9	177
JP11	177
JP17	177
JP19	177
JP22	177
JP25	177
JP37	177
JP38	177
JP42	177
JP45	177

#### JP

SYMBOL NO.	INDEX NO.
JP48	177
JP51	177
JP54	177
JP55	177

#### L

SYMBOL NO.	INDEX NO.
L1	171
L2	169
L3	172

#### LED

SYMBOL NO.	INDEX NO.
LED1	122
LED2	122

#### OSC

SYMBOL NO.	INDEX NO.
OSC2	147
OSC3	146

#### Q

SYMBOL NO.	INDEX NO.
Q1	117
Q2	115
Q3	115
Q4	116

#### RESISTOR

SYMBOL NO.	INDEX NO.
R1	198
R2	198
R3	189
R4	189
---	---
R6	173
R7	173
---	---
R9	191
R10	179

SYMBOL NO.	INDEX NO.
R11	196
R12	196
R13	184
R14	184
R15	184
R16	184
R17	184
R18	191
R19	191
---	---

## 31.CONTROLLER BOARD (G065)

### RESISTOR

SYMBOL NO.	INDEX NO.	SYMBOL NO.	INDEX NO.	SYMBOL NO.	INDEX NO.	SYMBOL NO.	INDEX NO.	SYMBOL NO.	INDEX NO.	SYMBOL NO.	INDEX NO.	SYMBOL NO.	INDEX NO.
---	---	R31	193	R41	195	R51	188	R61	193	---	---	R81	---
---	---	R32	193	R42	195	R52	188	R62	193	---	---	R82	184
---	---	R33	193	R43	195	R53	188	R63	193	---	---	R83	191
---	---	R34	191	R44	195	R54	188	R64	193	---	---	R84	191
R25	193	R35	193	R45	181	R55	184	R65	191	R75	188	R85	191
R26	194	R36	193	R46	184	R56	---	R66	191	R76	---	R86	191
R27	202	R37	194	R47	---	R57	184	---	---	R77	181	R87	191
R28	202	R38	196	R48	184	R58	191	R68	191	R78	191	R88	193
R29	193	R39	196	R49	188	R59	193	R69	191	---	---	R89	193
R30	193	R40	193	R50	188	R60	193	R70	191	R80	184	R90	197

### RESISTOR

SYMBOL NO.	INDEX NO.	SYMBOL NO.	INDEX NO.	SYMBOL NO.	INDEX NO.	SYMBOL NO.	INDEX NO.	SYMBOL NO.	INDEX NO.	SYMBOL NO.	INDEX NO.	SYMBOL NO.	INDEX NO.
R91	197	R101	197	R111	191	R121	183	R131	191	R141	184	R151	---
R92	197	R102	197	R112	191	R122	184	R132	191	R142	184	R152	---
R93	197	R103	197	R113	191	R123	193	R133	191	R143	184	R153	201
R94	197	R104	191	R114	191	R124	---	R134	184	R144	200	R154	202
R95	197	R105	---	R115	193	R125	191	R135	---	R145	193	R155	200
R96	197	R106	197	R116	183	R126	191	R136	191	R146	193	R156	199
R97	197	R107	191	R117	193	R127	191	R137	191	R147	200	R157	184
R98	197	R108	191	R118	183	R128	191	R138	---	R148	193	R158	---
R99	197	R109	---	R119	193	R129	191	R139	---	R149	183	R159	201
R100	197	R110	191	R120	193	R130	191	R140	191	R150	193	R160	193

## 31.CONTROLLER BOARD (G065)

### RESISTOR

SYMBOL NO.	INDEX NO.	SYMBOL NO.	INDEX NO.	SYMBOL NO.	INDEX NO.	SYMBOL NO.	INDEX NO.	SYMBOL NO.	INDEX NO.	SYMBOL NO.	INDEX NO.	SYMBOL NO.	INDEX NO.
R161	184	R171	193	R181	195	R193	195	R208	191	R222	191	R232	191
R162	---	R172	193	R182	195	R197	184	R209	193	R223	191	R233	191
R163	193	R173	195	R183	195	R198	195	R210	193	R224	191	R234	194
R164	184	R174	195	R184	195	R199	195	R211	191	R225	191	R235	191
R165	192	R175	184	R185	195	R202	191	R212	193	R226	193	R236	191
R166	195	R176	195	R188	---	R203	191	R213	191	R227	194	R237	191
R167	---	R177	195	R189	195	R204	191	R214	195	R228	194	R238	191
R168	---	R178	195	R190	195	R205	191	R216	184	R229	194	R239	191
R169	184	R179	195	R191	191	R206	191	R220	---	R230	191	R242	191
R170	184	R180	195	R192	195	R207	191	R221	191	R231	191	R243	193

### RESISTOR

SYMBOL NO.	INDEX NO.	SYMBOL NO.	INDEX NO.	SYMBOL NO.	INDEX NO.	SYMBOL NO.	INDEX NO.	SYMBOL NO.	INDEX NO.	SYMBOL NO.	INDEX NO.	SYMBOL NO.	INDEX NO.
R244	193	R258	---	R282	195	R292	200	R303	190	R321	193	R340	191
R245	193	R271	191	R283	195	R293	191	R304	175	R322	193	R341	184
R246	193	R273	205	R284	189	R294	191	R305	174	R323	193	R342	184
R247	193	R274	204	R285	195	R295	179	R306	---	R324	193	R343	184
R248	193	R275	204	R286	195	R296	191	R307	178	R325	193	R344	184
R249	193	R276	195	R287	184	R298	186	R308	178	R330	193	R345	184
R250	187	R277	195	R288	200	R299	180	R309	193	R331	193	R346	184
R255	---	R278	203	R289	200	R300	180	R318	193	R332	184	R347	184
R256	195	R279	203	R290	200	R301	180	R319	193	R338	184	R348	193
R257	195	R280	196	R291	187	R302	180	R320	193	R339	191	R349	184

## 31.CONTROLLER BOARD (G065)

### RESISTOR

SYMBOL NO.	INDEX NO.
R350	184
R351	185
R352	185
R353	184
R354	195
R355	184
R356	184
R357	184
R358	184
R359	184

SYMBOL NO.	INDEX NO.
R360	184
R361	184
R362	184
R364	193
R365	193
R366	193
R367	193
R368	202
R369	177
R370	182

### REG

SYMBOL NO.	INDEX NO.
REG001	144

### RN

SYMBOL NO.	INDEX NO.
RN1	150
RN2	150
RN3	149
RN4	149
RN9	151
RN10	151
RN11	153
RN12	153
RN13	153
RN14	152

SYMBOL NO.	INDEX NO.
RN19	154
RN24	149
RN27	149
RN32	149
RN34	149
RN35	153
RN36	153
RN37	153
RN38	153
RN39	152

SYMBOL NO.	INDEX NO.
RN44	151
RN45	151
RN48	153
RN49	153
RN50	152
RN51	153
RN52	153
RN53	155
RN54	155
RN55	155

SYMBOL NO.	INDEX NO.
RN56	155
RN57	152
RN58	149
RN59	148
RN60	153
RN61	153
RN62	153
RN63	---
RN64	152
RN65	155

### RN

SYMBOL NO.	INDEX NO.
RN66	155
RN67	155
RN68	155
RN69	155
RN70	155
RN71	155
RN72	155
RN73	153

### SWITCH

SYMBOL NO.	INDEX NO.
SW1	113
SW2	114

### T

SYMBOL NO.	INDEX NO.
T1	167

### 31.CONTROLLER BOARD (G065)

Index No.	Part No.	Description	Q'ty Per Assembly
*	G065 6022	Controller Board	1
1	G056 5901	MASK ROM - PCL	1
2	G065 6059	ROM - Adonis-P3	1
3	G070 5793	IC - ASIC-CELL04	1

Index No.	Part No.	Description	Q'ty Per Assembly
101	1102 2391	Connector - HIF3FB-40PA-2.54DSA	
102	1102 6019	Connector - FCN685J036-I/YA	
103	1102 6789	Connector - 100P	
104	1102 6815	Connector - 53258-0410	
105	1102 7615	Connector - B8B-XH-A	
106	1102 8153	Connector - FCN-568P068-G/05A-V4	
107	1102 8189	DIMM Connector - 54534-1440	
108	1102 8355	Connector - DIMM - DMM2-SD72A-1131	
109	1102 8373	Connector - RJHS-5381	
110	1102 8567	Connector - 52775-0800	
111	1104 0511	IC Socket - 8p - DICF-8CS-E	
112	1104 0588	DIP Socket - 28p	
113	1204 1385	Push Switch	
114	1204 1542	DIP Switch	
115	1400 0801	Transistor - DTC113ZUA	
116	1401 1055	Fet - SI9934DY	
117	1401 1137	FET - SI3443DV	
118	1402 1265	Diode - RB411D	
119	1402 1444	Diode - RB051L-40	
120	1402 1445	Diode - 1SS376	
121	1402 1546	Diode - RB081	
122	1403 0907	Diode - SML-310LT	
123	1407 4346	CMOS2 IC - TC7W08F	
124	1407 5275	CMOS Logic - 74LVCHR16245A TSSOP	
125	1407 5300	CMOS Logic - 74LVC16244A TSSOP	
126	1407 5321	CMOS Logic - 74LVCH16374A TSSOP	
127	1407 5322	IC - CMOS LOGIC SN74LVC161284DGG	
128	1407 5334	IC - CMOS LOGIC 74LVC244A TSSOP	
129	1407 5342	Clock Generator - ICS9248AF-128	
130	1407 5364	IC - SN74AHCT244PW	
131	1407 5441	IC - 74LVC00A TSOP	
132	1407 5488	RAM - M48Z35AV-100OPC1	
133	1407 5523	ROM - I2C SOP 3V	
134	1407 5528	IC - SN74LVC126APW	
135	1407 5529	IC - SN74LVC374ANS	

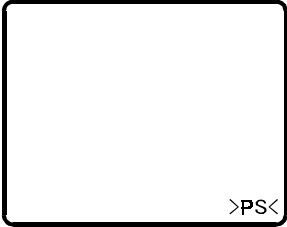
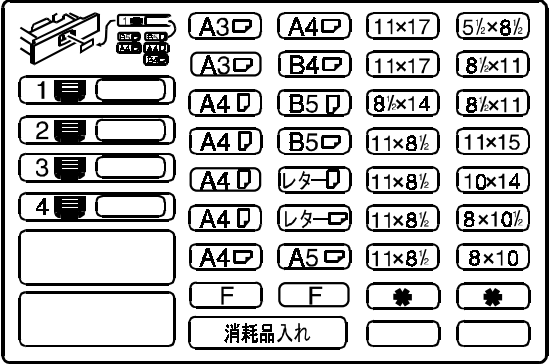
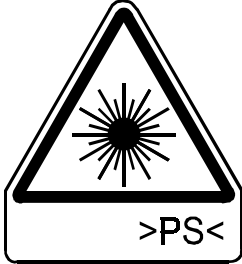
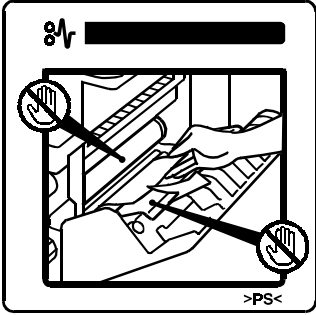
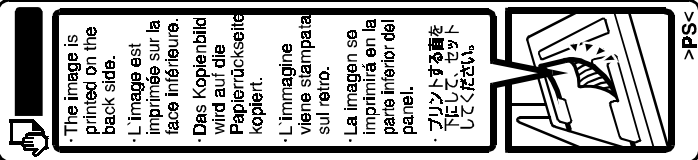
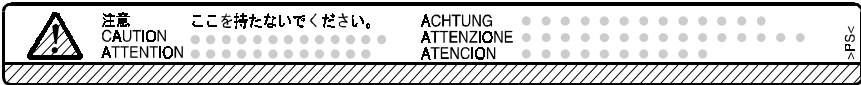



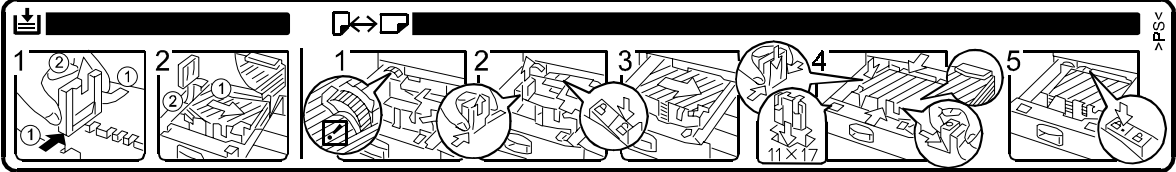
Index No.	Part No.	Description	Q'ty Per Assembly
136	1407 5602	IC - SN74AHCT174PW	
137	1407 5665	IC - RM7000A-300T-REV1.3	
138	1407 5666	CMOS IC - NC7WZ17P6	
139	1407 5674	IC - LVDS DP83846AVHG(A4)	
140	1408 1273	IC - RN5VD28A	
141	1408 1398	Detector - RN5VD42A	
142	1408 1514	IC - M62293FP	
143	1408 1565	IC - RN5VD21A	
144	1408 1614	IC - LTC1772CS6	
145	1408 1639	IC - RN5VD14A	
146	1503 0842	Oscillator - 14.31818MHz	
147	1503 0959	Crystal Oscillator - 25MHZ	
148	1601 7752	Resistor Array - 10K $\Omega$ $\pm$ 5%	
149	1601 7867	Resistor - 33 $\Omega$ $\pm$ 5% 1/16W	
150	1601 7871	Resistor - 68 $\Omega$ $\pm$ 5% 1/16W	
151	1601 7879	Resistor - 22 $\Omega$ $\pm$ 5% 1/16W	
152	1601 7899	Resistor Array - 56 $\Omega$ $\pm$ 5% 1/16W	
153	1601 7915	Resistor Array - 33 $\Omega$ $\pm$ 5% 1/16W	
154	1601 7916	Resistor - 47 $\Omega$ $\pm$ 5% 1/16W	
155	1601 7926	Resistor - 68 $\Omega$ $\pm$ 5% 1/16W 8	
156	1604 4631	Capacitor - 47 $\mu$ F $\pm$ 20% 16V	
157	1604 4632	Capacitor - 33 $\mu$ F $\pm$ 20% 25V	
158	1604 4683	Capacitor - 100UF $\pm$ 20% 10V	
159	1604 4798	Capacitor - 100 $\mu$ F $\pm$ 20% 6.3V	
160	1604 4917	Capacitor - 220 $\mu$ F $\pm$ 20% V	
161	1604 4918	Capacitor - 150 $\mu$ F $\pm$ 20% 6.3V	
162	1605 0832	Capacitor - 8PF $\pm$ 0.5pF 50V	
163	1605 1010	Capacitor - 10 $\mu$ F $\pm$ 20% 10V	
164	1605 1025	Capacitor - 1000pF $\pm$ 10% 2KV	
165	1605 1124	Capacitor - 4.7 $\mu$ F+80 -20% 10V	
166	1605 1132	Capacitor - 2.2 $\mu$ F+80-20% 16V	
167	1607 0987	Inductor - TLA-6T103	
168	1607 1206	Filter - ACC2012L-250	
169	1607 1223	Inductor - 47uh $\pm$ 20% 2.7A	
170	1607 1225	Filter - ACC4516L-700	

Index No.	Part No.	Description	Q'ty Per Assembly
171	1607 1227	Inductor - SLF12575 150M4R7	
172	1607 1228	Inductor - SLF7045-4R7M2R0	
173	1610 1420	Resistor - 0.075 $\Omega$ $\pm$ 1% 0.5W	
174	1610 1510	Resistor - 78.7K $\Omega$ $\pm$ 0.5% 1/16W	
175	1610 1511	Resistor - 84.5K $\Omega$ $\pm$ 0.5% 1/16W	
176	1633 0000	Resistor - 0 $\Omega$ 1/10W	
177	1634 0000	Resistor - 0 $\Omega$ 1/16W	
178	1650 2750	Resistor - 75 $\Omega$ $\pm$ 5% 1/4W	
179	1650 3271	Resistor - 270 $\Omega$ $\pm$ 5% 1/8W	
180	1650 3750	Resistor - 75 $\Omega$ $\pm$ 5% 1/8W	
181	1650 4100	Resistor - 10 $\Omega$ $\pm$ 5% 1/10W	
182	1650 4101	Resistor - 100 $\Omega$ $\pm$ 5%1/10W	
183	1650 4102	Resistor - 1K $\Omega$ $\pm$ 5% 1/10W	
184	1650 4103	Resistor - 10K $\Omega$ $\pm$ 5% 1/10W	
185	1650 4109	Resistor - 1 $\Omega$ $\pm$ 5% 1/10W	
186	1650 4121	Resistor - 120 $\Omega$ $\pm$ 5%1/10W	
187	1650 4122	Chip Resistor - 1.2k $\Omega$ $\pm$ 5% 1/10W 1608	
188	1650 4150	Resistor - 15 $\Omega$ $\pm$ 5% 1/10W	
189	1650 4152	Resistor - 1.5K $\Omega$ $\pm$ 5% 1/10W	
190	1650 4200	Resistor - 20 $\Omega$ $\pm$ 5% 1/10W	
191	1650 4220	Chip Resistor - 22 $\Omega$ $\pm$ 5% 1/10W	
192	1650 4222	Resistor - 2.2K $\Omega$ $\pm$ 5%1/10W	
193	1650 4330	Chip Resistor - 33 $\Omega$ $\pm$ 5% 1/10W	
194	1650 4470	Resistor - 47 $\Omega$ $\pm$ 5%1/10W	
195	1650 4472	Resistor - 4.7K $\Omega$ $\pm$ 5% 1/10W	
196	1650 4512	Resistor - 5.1K $\Omega$ $\pm$ 5%1/10W	
197	1650 4560	Chip Resistor - 56 $\Omega$ $\pm$ 5% 1/10W	
198	1650 4561	Resistor - 560 $\Omega$ $\pm$ 5% 1/10W	
199	1650 4562	Resistor - 5.6K $\Omega$ $\pm$ 5% 1/10W	
200	1650 4680	Resistor - 68 $\Omega$ $\pm$ 5%1/10W	
201	1650 4683	Resistor - 68K $\Omega$ $\pm$ 5% 1/10W	
202	1650 4820	Resistor - 82 $\Omega$ $\pm$ 5% 1/10W	
203	1653 4999	Resistor - 49.9 $\Omega$ $\pm$ 1% 1/8W	
204	1653 5499	Resistor - 54.9 $\Omega$ $\pm$ 1% 1/8W	
205	1654 9311	Resistor - 9.31K $\Omega$ $\pm$ 1% 1/10W	

Index No.	Part No.	Description	Q'ty Per Assembly
206	1660 2101	Capacitor - 100pF - $\pm 10\%$ - 50V	
207	1660 2150	Capacitor - 15pF $\pm 5\%$ 50V	
208	1660 2221	Capacitor - 220pF +80-20% 50V	
209	1660 2330	Capacitor - 33pF - $\pm 5\%$ - 50V	
210	1660 2331	Capacitor - 330pF $\pm 5\%$ 50V	
211	1660 2470	Capacitor - 47pF $\pm 5\%$ 50V	
212	1660 2471	Capacitor - 470pF - $\pm 5\%$ - 50V	
213	1660 2560	Capacitor - 56pF $\pm 5\%$ 50V	
214	1660 2680	Capacitor - 68pF $\pm 5\%$ 50V	
215	1660 4102	Capacitor - 1000pF $\pm 10\%$ 50V	
216	1660 4222	Capacitor - 2200pF - $\pm 10\%$ - 50V	
217	1660 6103	Capacitor - 10000pF - +80%-20%50V	
218	1660 8104	Capacitor - 0.1 $\mu$ F+80-20% 25V	
219	1906 0017	Flash Memory - LH28F320BJ-PBTL70	
220	1907 0012	SDRAM - 128M 2MX16X4 133MHz	

Index No.	Part No.	Description	Q'ty Per Assembly

# 32.DECAL AND DOCUMENT (G065)

<p>1</p> 	<p>2</p> 	<p>3</p> 	<p>4</p> 
<p>5</p> 		<p>6</p> 	
<p>7</p> 	<p>8</p> 	<p>9</p> 	
<p>10</p> 			



### 32.DECAL AND DOCUMENT (G065)

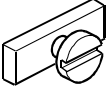
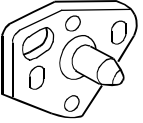
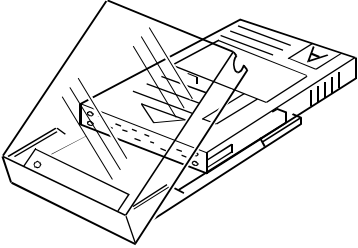
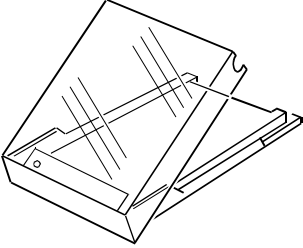
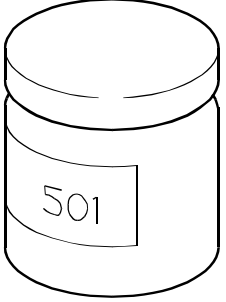
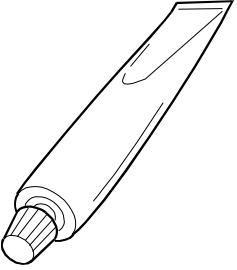
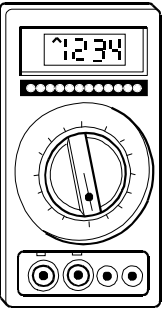
<p>11</p>	<p>12</p>		
<p>13</p>	<p>14</p>	<p>15</p>	
<p>16</p>	<p>18</p>	<p>21</p>	
<p>17</p>	<p>19</p>	<p>20</p>	<p>22</p>

### 32.DECAL AND DOCUMENT (G065)

Index No.	Part No.	Description	Q'ty Per Assembly
1	A232 1381	Decal - Total Counter	
2	A232 1385	Decal - Indication	
3	G020 1917	Decal - LD	
4	A232 3991	Decal - Shield Cover	
5	A232 6073	Decal - By-pass Feed	
6	AA00 0204	Decal - Right Lower Cover	
7	AA00 1389	Large Decal - Energy Star	
8	AA00 1392	Decal - A1	
9	AA00 1393	Decal - A2	
10	AA00 3007	Decal - Paper Set Direction	
11	B004 4122	Decal - Warning	
12	B004 4851	Decal - Jam Removal	
13	B004 4852	Decal - Duplex Jam	
14	B004 4853	Upper Decal - Duplex Unit	
15	G029 1980	Decal - LD	
16	G020 1920	Decal - Laser Diode	
17	G034 1383	Decal - Left - Adonis-p	
18	G034 1384	Decal - Paper Jam	
19	G034 3811	Decal - Transfer Unit - Front	
20	G034 3812	Decal - Transfer Unit - Rear	
21	G035 1382	Decal - Postscript	
22	H516 4153	Decal - Laser (EU/ASIA)	

Index No.	Part No.	Description	Q'ty Per Assembly

### 33.SPECIAL TOOLS (G065)

<p>1</p> 	<p>2</p> 	<p>3</p> 	<p>4</p> 	<p>5</p> 
<p>6</p> 	<p>7</p> 			

### 33.SPECIAL TOOLS (G065)

Index No.	Part No.	Description	Q'ty Per Assembly
1	A230 9004	Positioning Pin Laser Unit	1
2	A230 9003	Adjusting Cam - Laser Unit	1
3	N803 6701	Flash Memory Card - 4MB	1
4	A230 9351	Case - Flash Memory Card	1
5	5203 9501	Grease 501	1
6	A028 9300	Grease Barrierta JFE 55/2	1
7	A029 9387	Digital Multimeter - FLUKE87	1

Index No.	Part No.	Description	Q'ty Per Assembly

# Parts Index

## PM Parts Index

Section Name	Part No.	Description in Service Manual	Description in Parts Catalog	Q'ty Per Assembly	Page and Index No.
BY-PASS FEED SECTION 2 (G065)	AF03 0036	Pick Up Roller (By-pass)	Pick Up Roller	1	11- 22
	AF03 1036	Feed Roller (By-pass)	Feed Roller	1	11- 40
	AF03 2036	Separation Roller (By-pass)	Separation Roller	1	11- 2
PAPER REGISTRATION 1 (G065)	AF03 0034	Pick-up Roller (Paper Tray)	Pick-up Roller	1	13- 6
	AF03 1035	Feed Roller (Paper Tray)	Feed Roller	1	13- 9
	AF03 2035	Separation Roller (Paper Tray)	Separation Roller	1	13- 29
PCU UNIT 2 (G065)	G065 2330	Cleaning Roller	Brush Roller - Cleaning	1	23- 22
	A232 2353	Drum Cleaning Blade	Cleaning Blade Ass'y	1	23- 21
	AD02 5021	Pick-off Pawl	Pick-off Pawl	2	23- 7
	AD02 7006	Charge Roller	Charge Roller	1	23- 23
TRANSFER UNIT 1 (G065)	A232 3880	Transfer Belt	Transfer Belt	1	25- 39
	A232 3830	Transfer Belt Cleaning Blade	Cleaning Blade - Transfer Belt	1	25- 1
DEVELOPMENT UNIT (G065)	AA01 2102	Development Filter	Development Filter	1	29- 7
FUSING UNIT (G065)	AE01 1064	Hot Roller	Hot Roller - MM39.8 - T0.4	1	31- 18
	AE02 0108	Pressure Roller	Pressure Roller	1	31- 24
	AE04 4030	Hot Roller Strippers	Hot Rollerstripper	7	31- 11
	AW10 0052	Center Thermistor	Thermistor - Center	1	31- 43
	AW10 0053	End Thermistor	Thermistor - Rear	1	31- 42

## Parts Index

Part No.	Description	Page and Index No.
G065 1090	Supporter - Development Unit	53- 16
G065 1122	Timing Pulley - 58Z/79T	45- 8
G065 1125	Drum Holder	45- 11
G065 1127	Bracket - Drum Holder	45- 9
G065 1128	Flange - Fly Wheel	45- 7
G065 1132	Bracket - Transfer Drive	45- 4
G065 1141	Belt Bracket	43- 11
G065 1143	Bushing - M34	43- 3
G065 1144	Magnetic Clutch Bracket	43- 6
G065 1170	Lower Duct	49- 3
G065 1171	Upper Duct	49- 2
G065 1173	Sheet - Duct	5- 21
G065 1174	Sheet - Duct - Upper	5- 37
G065 1283	Cover-left Rear	3- 11
G065 1383	Decal - Left - Adonis-P	3- 10
G065 1385	Operation Instruction Sheet	3- 6
G065 1503	Operation Panel - NA	5- 28
G065 1504	Top Cover	5- 33
G065 1513	Operation Panel - EU	5- 28
G065 1540	Harness - Operation Panel	5- 29
G065 1581	Sheet - Top Cover	5- 32
G065 1582	Seal - Top Cover	5- 31
G065 1583	Seal - Top Cover - Harness	5- 30
G065 2202	PCU	21- 1
G065 2202	PCU	23- 1
G065 2217	PCU Stopper	21- 33
G065 2220	Upper Frame - PCU	21- 17
G065 2241	Shutter - Toner Supply	21- 2
G065 2252	Cover - Cleaning Unit	21- 4
G065 2259	Handle - PCU	21- 3
G065 2270	Receptacle - Charge Roller	21- 32
G065 2290	Idler Bracket	21- 16
G065 2302	Lower Frame - OPC	23- 8
G065 2321	Front Arm - Charge Unit	23- 11
G065 2326	Rear Arm - Charge Unity	23- 18

Part No.	Description	Page and Index No.
G065 2330	Brush Roller - Cleaning	23- 22
G065 2403	Supporter - PCU	15- 13
G065 2406	Holder - ID Sensor	15- 15
G065 2750	Paper Feed Unit	13- 5
G065 2767	Lever - Feed	13- 22
G065 2774	Pressure Lever	13- 35
G065 2775	Link Lever	13- 39
G065 2776	Release Lever	13- 41
G065 3001	Development Unit	29- 1
G065 3066	Entrance Shield - Toner Supply	29- 18
G065 3067	Coupling Shield	29- 22
G065 3070	New Article Sensor Feeler	29- 33
G065 3075	Bracket - PCU And Development	29- 34
G065 3275	Guide - Development Unit	55- 11
G065 3861	Shield Cover	27- 24
G065 4055	Stay - Thermostat	31- 40
G065 4071	Knob - Hot Roller	31- 22
G065 4105	Housing - Thermostat	31- 44
G065 4106	Thermostat	31- 25
G065 4117	Harness - Fusing Unit (120V)	31- 14
G065 4127	Harness - Fusing Unit (230V)	31- 14
G065 4131	Fusing Cover	31- 6
G065 4136	Handle - Fuusing Unit	31- 5
G065 5055	BICU Board	62- *
G065 5055	BICU Board	49- 18
G065 5125	IOB Board	61- *
G065 5125	IOB Board	49- 20
G065 5192	Mother Board	57- 2
G065 5291	Harness - LD Unit	7- 3
G065 5437	Relay Harness - Belt Contact	43- 18
G065 5450	DC Harness - Front Upper	49- 24
G065 5451	DC Harness - Front Lower	49- 22
G065 5467	Relayharness - Push Switch	53- 18
G065 5470	Harness - Operation Panel	57- 1
G065 5479	Bridge Unit Harness	49- 23

Part No.	Description	Page and Index No.
G065 5520	Harness - DC Power Supply	51- 15
G065 5522	Harness - Safety Switch	51- 17
G065 5610	Option Heater Harness	55- 5
G065 5825	Connector Bracket	49- 4
G065 5850	Control Board Bracket	57- 9
G065 5856	Bracket - Controller Board	57- 4
G065 5858	Option Cover	57- 11
G065 5862	Bracket - Harness	43- 20
G065 5864	Bracket - Relay Harness	43- 23
G065 5885	Printer Rack Panel	57- 5
G065 5893	Card Cover	57- 10
G065 6022	Controller Board	57- 12
G065 6022	Controller Board	71- *
G065 6059	ROM - Adonis-P3	71- 2
G065 7320	Fusing Unit - NA	31- 2
G065 7720	Fusing Unit - EU	31- 2

Part No.	Description	Page and Index No.
A028 9300	Grease Barrierta JFE 55/2	77- 6
A029 9387	Digital Multimeter - FLUKE87	77- 7
A134 2661	Feeler Roller	11- 17
A134 2843	Spacer 6x30x1.5	11- 12
A134 3180	Bottle Chuck	19- 11
A176 1317	Cap - 34x55	5- 17
A176 1318	Cap - 16	5- 35
A230 1268	Upper Cover - Paper Feed	3- 1
A230 2520	Heat Sink - Heater	55- 3
A230 2520	Heat Sink - Heater	55- 1
A230 2525	Heater Stopper	55- 4
A230 2688	Film - Stay - Upper Front	55- 12
A230 2693	Front Stopper	55- 15
A230 2696	Front Grip	55- 14
A230 2699	Stopper - Front Grip	55- 13
A230 9003	Adjusting Cam - Laser Unit	77- 2
A230 9004	Positioning Pin Laser Unit	77- 1
A230 9351	Case - Flash Memory Card	77- 4
A230 9510	OPC Drum	23- 3
A232 1072	Lower Stay - PCU	15- 18
A232 1075	Guide Rail - Fusing Unit	53- 13
A232 1081	Center Frame	53- 3
A232 1082	Left Stay - Paper Exit	53- 1
A232 1083	Bracket - Bridge Unit	53- 2
A232 1089	Upper Plate - Laser Unit	53- 4
A232 1136	Bracket - Belt Stopper	43- 5
A232 1172	Duct - Cooling Fan	51- 2
A232 1252	Duct - Upper Cover	5- 23
A232 1257	Cap - Upper Cover	5- 13
A232 1258	Cap - IC Card	5- 16
A232 1266	Left Hinge - Front Cover	55- 10
A232 1267	Right Hinge - Front Cover	55- 20
A232 1272	Right Rear Cover	3- 19
A232 1284	Spring Holder	21- 23
A232 1284	Spring Holder	15- 17



Part No.	Description	Page and Index No.
A232 1284	Spring Holder	5- 6
A232 1286	Stopper - Plate	3- 8
A232 1381	Decal - Total Counter	5- 24
A232 1381	Decal - Total Counter	75- 1
A232 1385	Decal - Indication	75- 2
A232 1900	Housing - Laser Unit	7- 4
A232 1904	Cap - Laser Unit Cover	7- 7
A232 1918	Heat Sink - Polygon Motor	7- 13
A232 1920	Decal - Heat Sink	7- 14
A232 1921	Front Holder - F Theta Mirror	7- 24
A232 1922	Rear Holder - F Theta Mirror	7- 25
A232 1923	Front Holder - BTL	7- 21
A232 1924	Rear Holder - BTL	7- 22
A232 1925	Middle Mirror Holder	7- 19
A232 1926	Mirror Holder	7- 18
A232 1927	Cylindrical Lens Holder	7- 15
A232 1928	Holder - Sync. Detector Mirror	7- 28
A232 1937	Positing Pin - Laser Unit Ass'y	53- 20
A232 1971	Support Cover - Imaging Unit	7- 8
A232 2279	Entrance Seal - Toner Supply	21- 19
A232 2280	Tape - Entrance Seal	21- 25
A232 2288	Shaft - Toner Collection Mylar	21- 12
A232 2289	Front Bushing - Collection Mylar	21- 11
A232 2290	Bushing - Collection Mylar	21- 14
A232 2292	Bushing - Toner Collection Coil	21- 9
A232 2308	Rear Terminal - Charge Roller	23- 20
A232 2310	Bracket - Cleaning Blade	23- 16
A232 2315	Front Bushing - Cleaning Bracket	23- 13
A232 2316	Stud - Cleaning Bracket	23- 2
A232 2318	Collar - Cleaning	23- 17
A232 2328	Cap - Toner Supply	21- 35
A232 2339	Spur	23- 5
A232 2340	Holder - Pick-off Pawl	23- 4
A232 2348	Seal - Blade 12x7x3	21- 22
A232 2350	Seal - Entrance	21- 24

Part No.	Description	Page and Index No.
A232 2353	Cleaning Blade Ass'y	23- 21
A232 2354	Front Terminal - Charge Roller	23- 10
A232 2362	PCU Stay	53- 10
A232 2367	ID Sensor	15- 16
A232 2372	Lock Lever - Transfer Unit	45- 2
A232 2380	Terminal Plate - Change Roller	45- 15
A232 2381	Harness - Charge Roller	45- 13
A232 2382	Terminal Plate - Development Bias	45- 16
A232 2383	Harness - Development Bias	45- 12
A232 2399	Seal - Blade 13x9.5x3	21- 27
A232 2401	Shield - Blade - Upper	21- 28
A232 2414	Seal - 2x20x45	21- 20
A232 2419	Left Seal - Cleaning Cover	21- 6
A232 2420	Right Seal - Cleaning Cover	21- 7
A232 2421	Bushing - 6x10x3	23- 19
A232 2574	Upper Entrance Guide	15- 25
A232 2578	Stopper - Guide Plate	15- 7
A232 2583	Lower Entrance Guide	15- 26
A232 2594	Bracket - Registration Sensor	15- 27
A232 2596	Link Lever	15- 11
A232 2692	Cover - Paper Drive	55- 22
A232 2705	Tightener - Paper Feed	47- 9
A232 2720	Gear Bracket	3- 13
A232 2722	Knob	3- 14
A232 2723	Support Plate - Knob	3- 18
A232 2724	Knob Cover	3- 12
A232 2760	Housing - Paper Feed Unit	13- 18
A232 2762	Paper End Feeler	13- 26
A232 2763	Pick-up Arm	13- 12
A232 2764	Rear Grounding Plate	13- 23
A232 2765	Front Grounding Plate	13- 27
A232 2766	Feed Mylar	13- 25
A232 2780	Stay - Paper Feed	13- 16
A232 2781	Sensor Bracket	13- 14
A232 2785	Vertical Guide	13- 1

Part No.	Description	Page and Index No.
A232 2786	Guide Plate	13- 2
A232 2787	Vertical Transport Guide	13- 3
A232 2857	Cover - Vertical Transport	3- 20
A232 2858	Upper Support Plate	3- 24
A232 2859	Lower Support Plate	3- 25
A232 2860	Entrance Seal	3- 23
A232 2862	Driven Roller	3- 29
A232 2863	Stopper Band	3- 34
A232 2876	Lower Cover - Vertical Transport	3- 32
A232 2882	Bracket - Micro Switch	55- 23
A232 2975	Bottom Lift Plate	17- 23
A232 2987	Roller - Paper Tray	17- 17
A232 2990	Guide Rail - Paper Tray	55- 16
A232 2995	Front Positioning Guide	55- 17
A232 2996	Rear Positioning Guide	47- 26
A232 3067	Tape - TD Sensor	29- 29
A232 3068	Front Bias Terminal - Development	29- 17
A232 3069	Rear Bias Terminal - Development	29- 31
A232 3077	Spacer - M5	29- 26
A232 3096	Flange - Side Plate	29- 15
A232 3131	Front Shield - Development Sleeve	29- 5
A232 3132	Rear Shield - Development Sleeve	29- 6
A232 3150	Entrance Seal Ass'y	29- 3
A232 3155	Front Cover - Development Unit	29- 10
A232 3230	Case - Toner Supply Ass'y	19- 7
A232 3240	Cover- Toner Bottle Ass'y	19- 12
A232 3251	Chuck Shaft	19- 9
A232 3252	Slider Ass'y	19- 10
A232 3261	Handle - Toner Supply	19- 5
A232 3263	Spring Plate - Toner Bottle	19- 6
A232 3264	Stopper - Slide Rail	53- 7
A232 3266	Seal - Slide Rail	19- 2
A232 3267	Front Entrance Seal - Toner Supply	21- 18
A232 3552	Ball Bearing - 8x22x7	47- 29
A232 3552	Ball Bearing - 8x22x7	45- 10

Part No.	Description	Page and Index No.
A232 3553	Ball Bearing - 8x16x5	43- 7
A232 3553	Ball Bearing - 8x16x5	23- 24
A232 3830	Cleaning Blade - Transfer Belt	25- 1
A232 3880	Transfer Belt	25- 39
A232 3882	Frang - Transfer Unit	25- 33
A232 3883	Spring Plate - Transfer Unit	25- 27
A232 3885	Driven Roller - Transfer Unit	25- 28
A232 3887	Rear Terminal - Transfer Belt	25- 29
A232 3889	Bias Roller	25- 31
A232 3891	Bias Terminal	25- 34
A232 3893	Arm - Transfer Belt	25- 36
A232 3894	Drive Roller - Transfer Belt	25- 37
A232 3903	Tape - Entrance Mylar	25- 7
A232 3905	Seal - Shield Plate	25- 6
A232 3906	Seal - Rear Transfer Exit	25- 5
A232 3907	Seal - Transfer Exit	25- 4
A232 3908	Seal - Rear Case	25- 11
A232 3909	Seal - Front Case	25- 10
A232 3911	Rear Lever - Transfer Belt	25- 21
A232 3912	Front Lever - Transfer Belt	25- 20
A232 3913	Bin - Release Lever	25- 41
A232 3916	Pressure Lever - Transfer Belt	25- 19
A232 3917	Release Lever - Transfer Belt	25- 25
A232 3921	Spring Anchor	25- 18
A232 3923	Bracket - Cleaning Blade	25- 2
A232 3924	Rear Bushing - Cleaning Holder	25- 24
A232 3925	Front Bushing - Cleaning Holder	25- 13
A232 3926	Transfer Belt Roller	25- 35
A232 3927	Shield - Transfer Belt - Exit	25- 9
A232 3940	Right Cover	27- 33
A232 3941	Fulcrum Pin - Right Cover	27- 34
A232 3942	Stopper - Right Cover	27- 35
A232 3945	Front Hook - Right Cover	27- 25
A232 3948	Rear Hook - Right Cover	27- 29
A232 3950	Hook Lever	27- 8

Part No.	Description	Page and Index No.
A232 3962	Spring Plate - Band Stopper	27- 9
A232 3963	Band Stopper	27- 10
A232 3985	Link - Cover	15- 9
A232 3991	Decal - Shield Cover	27- 23
A232 3991	Decal - Shield Cover	75- 4
A232 3998	Upper Entrance Guide	27- 21
A232 3999	Lower Entrance Guide	27- 22
A232 4051	Frame - Fusing Unit	31- 27
A232 4053	Fusing Lower Shield	31- 26
A232 4057	Front Collar - Pressure Lever	31- 30
A232 4058	Rear Collar - Pressure Lever	31- 33
A232 4059	Positioning Plate - Pressure Lever	31- 29
A232 4064	C Ring - Hot Roller	31- 16
A232 4123	Upper Fusing Entrance Guide	31- 37
A232 4484	Solenoid - Exit Gate	33- 23
A232 4497	End Fence - Copy Tray	5- 1
A232 4499	Copy Tray Mylar	5- 14
A232 4647	Driven Guide Plate	37- 20
A232 4653	Pressure Plate - Guide Plate	37- 15
A232 4684	Handle - Unit Release	39- 10
A232 4685	Hook - Unit Release	39- 1
A232 4720	Inner Cover - Duplex Unit	37- 10
A232 4730	Rear Inner Cover	37- 13
A232 4757	Bracket - Feed Sensor	41- 20
A232 4780	Pin - Stopper	53- 19
A232 4790	Link - Duplex Unit	41- 14
A232 4793	Bracket - Link Lever	37- 7
A232 4810	Harness Cover - Duplex Unit	37- 6
A232 5355	IC - GATEX	61- 1
A232 5403	Harness - IOB / PFB	49- 21
A232 5405	Main Harness - Paper Feed	47- 40
A232 5410	Finisher Connector	55- 21
A232 5410	Finiser Connector	51- 10
A232 5420	Harness - Registration Sensor	15- 29
A232 5427	Harness By-pass Feed	11- 28

Part No.	Description	Page and Index No.
A232 5428	Harness - Paper Feed Unit	13- 20
A232 5444	Harness - Laser Unit	7- 10
A232 5526	Power Supply Cord - 115V	51- 16
A232 5527	Power Supply Cord - 230V	51- 16
A232 5838	Spring Plate - BICU	3- 26
A232 5860	Bracket - Interlock Switch	49- 10
A232 5861	Lever - Interlock Switch	49- 9
A232 5862	Cover - Switch Lever	49- 11
A232 5865	Push Switch Lever	49- 15
A232 6009	By-pass Feed Table Ass'y	9- 24
A232 6022	Housing - By-pass Feed	11- 13
A232 6023	Grounding Plate - Reverse	11- 15
A232 6028	Guide Plate Paper Separator	11- 10
A232 6033	Shaft Driven Roller	11- 4
A232 6035	Shaft - Drive Roller	11- 9
A232 6038	Gear Cover	11- 11
A232 6043	Arm Paper Pick Up	11- 20
A232 6044	Support Plate	11- 24
A232 6046	Grounding Plate - Feed	11- 25
A232 6049	Solenoid Bracket	11- 37
A232 6051	Pickup Solenoid	11- 27
A232 6055	Paper End Feeler	11- 16
A232 6057	Bracket-by-pass Feed Drive	11- 41
A232 6059	Arm Tightener	11- 33
A232 6061	Tightener Bracket	11- 38
A232 6065	Rail - By-pass Feed	11- 39
A232 6067	By-pass Feed Table	9- 10
A232 6068	Cover By-pass Table	9- 11
A232 6069	Front Side Fence	9- 21
A232 6070	Rear Side Fence	9- 19
A232 6071	Sub - Front Fence	9- 22
A232 6072	Sub - Rear Fence	9- 20
A232 6073	Decal - By-pass Feed	75- 5
A232 6073	Decal - By-pass Feed	9- 16
A232 6080	Paper Size Detector	9- 15

Part No.	Description	Page and Index No.
A232 6082	Front Rack	9- 12
A232 6083	Rear Rack	9- 14
A232 6085	Guide By-pass Table	9- 17
A232 6090	Bracket Positioning Pin	9- 6
A232 6091	Positioning Pin	9- 7
A232 6092	Roller - Holder	9- 18
A232 6095	Frame By-pass Unit Holder	37- 3
A232 6095	Frame By-pass Unit Holder	9- 2
A232 6106	Middle Lower Cover	9- 1
A232 6107	Middle Upper Cover	9- 5
A232 6108	Rear Cover - By-pass Unit	9- 4
A232 6108	Rear Cover - By-pass Unit	37- 2
A232 6109	Front Cover - By-pass Unit	9- 3
A232 6109	Front Cover - By-pass Unit	37- 1
A232 7756	Harness - Circuit Breaker	51- 19
A232 7757	Bracket - Circuit Breaker	51- 18
A235 2979	Feeler - Paper Height Sensor	17- 29
A267 3455	Magnetic - Discharge Lamp	53- 11
A284 1372	Inner Cover-upper	5- 27
A284 1376	Inner Cover-left	5- 25
A284 1904	Cover - Optical Housing	7- 2
A284 2783	Torque Limiter	11- 3
A293 5310	Sync Detector Board	7- 5
A680 1181	Magnetic Catch	37- 25
A691 5862	HDD - ATA QLCT20-10G	57- 13
B004 1061	Stay Bracket - Vertical Rear	55- 7
B004 1081	Bracket - Fusing Connector	51- 5
B004 1082	Support Plate - Scanner Arm	57- 7
B004 1089	Rear Stay	51- 12
B004 1093	Rear Stay	51- 9
B004 1096	Development Drive Bracket	45- 20
B004 1138	Development Drive Unit	45- 21
B004 1147	Tightener Development Drive	45- 22
B004 1150	Spring - Tightener	45- 23
B004 1153	Timing Pulley - Paddle	45- 18

Part No.	Description	Page and Index No.
B004 1156	Bracket - OPC Drum	43- 22
B004 1162	Upper Holder Plate	47- 24
B004 1163	Pulley Bracket	47- 35
B004 1164	Bracket - Registration Drive	47- 1
B004 1165	Bracket - Timing Pulley	47- 2
B004 1167	Flange - 24mm	47- 5
B004 1169	Tightener	47- 20
B004 1172	Support Bracket	47- 27
B004 1177	Spacer - By-pass Feed	47- 11
B004 1179	Lower Holder Plate	47- 25
B004 1261	Front Cover Ass'y	3- 2
B004 1281	Left Cover	3- 9
B004 1285	Left Cover-paper Feed Sub-unit	3- 7
B004 1291	Rear Cover	5- 36
B004 1296	Rear Cover - Paper Feed Sub-unit	5- 8
B004 1297	Rear Cover - Paper Feed Sub-unit	5- 7
B004 1320	Base Cover	55- 8
B004 1321	Shield Plate - BICU	45- 31
B004 1322	Shield Plate - DC Motor	45- 30
B004 1873	Optical Housing Unit (NA)	7- 1
B004 1877	Optical Housing Unit (EU)	7- 1
B004 1891	LD Unit	7- 11
B004 1936	Plate - Optical Housing Unit	45- 29
B004 1938	Holder - Optical Housing Unit	45- 27
B004 1939	Holder - Optical Housing Unit	45- 28
B004 1968	Shield Plate Ass'y - LDDR	55- 6
B004 2212	Front Seal - Cleaning Cover	21- 5
B004 2215	Entrance Seal - Toner Supply	21- 29
B004 2310	Spur	15- 14
B004 2575	Knob - Entrance Guide	15- 24
B004 2597	Sheet - Separation Plate	55- 9
B004 2770	Stay - Paper Separation	13- 32
B004 2777	Shaft - Paper Separation	13- 31
B004 2782	Rear Feed Mylar	13- 40
B004 2783	Torque Limiter	13- 30

Part No.	Description	Page and Index No.
B004 2905	Universal Paper Tray (LT)	17- 1
B004 2910	Universal Paper Tray (A4)	17- 1
B004 2915	Bottom Lift Shaft	17- 24
B004 2920	Front Side Fence	17- 4
B004 2922	Release Lever - Side Fence	17- 7
B004 2923	Spring Plate - Release Lever	17- 6
B004 2924	Paper Guide Plate - Front	17- 8
B004 2930	Rear Side Fence	17- 9
B004 2932	Rear Stopper Lever	17- 11
B004 2933	Rear Stopper	17- 12
B004 2934	Spring Plate - Lock Lever	17- 13
B004 2935	Paper Guide Plate - Rear	17- 14
B004 2936	Gear - 16Z	17- 18
B004 2940	Bottom Plate	17- 2
B004 2943	Grounding Plate - Paper Tray	17- 22
B004 2947	Spring Plate-paper Size Sensor	17- 19
B004 2948	Paper Size Sensor	17- 21
B004 2951	Stopper-right	17- 25
B004 2952	Shoe- Left	17- 16
B004 2954	Paper Size Dial (LT)	17- 20
B004 2955	Paper Size Dial (A4)	17- 20
B004 2988	Handle - Paper Tray	17- 26
B004 2995	Cap - Positioning	55- 18
B004 3062	Ground Plate- Doctor Blade	29- 24
B004 3065	TD Sensor	29- 30
B004 3078	Joint - Paddle	29- 25
B004 3100	Development Roller Ass'y	29- 4
B004 3208	Toner Supply Unit	19- 1
B004 3210	Guide - Toner Supply Unit	53- 6
B004 3215	Toner Bottle Holder	53- 8
B004 3262	Slide Rail-toner Supply	19- 3
B004 3911	Mylar - Remove Paper Dust	25- 3
B004 3914	Mylar - Belt Drive Roller	25- 40
B004 3915	Entrance Mylar - Transfer Unit	25- 8
B004 4056	Pressure Lever	31- 31

Part No.	Description	Page and Index No.
B004 4081	Upper Frame - Fusing Unit	31- 9
B004 4087	Plate- Thermistor	31- 41
B004 4092	Bracket- Fusing Connector	31- 13
B004 4095	Terminal Plate - Fusing Unit	31- 15
B004 4111	Front Heater Socket	31- 8
B004 4115	Rear Heater Socket	31- 12
B004 4122	Decal - Warning	53- 14
B004 4122	Decal - Warning	75- 11
B004 4126	Lower Entrance Guide Plate	31- 38
B004 4133	Cap- Fusing Cover	31- 3
B004 4135	Guide Plate-fusing Exit	31- 7
B004 4322	Guide Plate - Fusing Exit	27- 17
B004 4323	Exit Sensor Bracket	27- 19
B004 4327	Bushing - 4mm	27- 13
B004 4329	Grounding Plate - Exit Sensor	27- 20
B004 4330	Screw - 4.5MM	27- 15
B004 4434	Harness Guide	33- 1
B004 4435	Sub Copy Tray	5- 3
B004 4436	Copy Tray Guide	5- 2
B004 4437	Supporting Plate - Left Lower	33- 5
B004 4438	Bushing	35- 5
B004 4439	Protect Bracket - Middle	35- 9
B004 4440	Middle Guide - Paper Exit	5- 15
B004 4453	Lower Guide Plate	35- 15
B004 4455	Frame - Left Lower	33- 4
B004 4458	Pressure Arm - Exit	33- 8
B004 4460	Shaft-pressure Roller	33- 7
B004 4463	Pressure Arm - Entrance	33- 11
B004 4466	Bracket - Contact Point	33- 13
B004 4469	Spring Plate - Exit Roller	33- 3
B004 4471	Frontplate	35- 17
B004 4472	Rear Plate	35- 2
B004 4477	Upperguide Plate	35- 7
B004 4478	Entrance Junction Gate	35- 6
B004 4479	Lever - Entrance Junction Gate	35- 12

Part No.	Description	Page and Index No.
B004 4481	Exit Junction Gate	35- 11
B004 4486	DC Solenoid	33- 20
B004 4490	Right Supporting Plate	33- 14
B004 4493	Joint	33- 25
B004 4494	Paper Feed Sensor Bracket	33- 27
B004 4496	Unstatic Brush	35- 1
B004 4622	Guide Plate - Right Lower	41- 6
B004 4630	Lower Stay - Duplex	41- 22
B004 4634	Guide Plate - Reverse	39- 9
B004 4638	Frontside Plate	39- 12
B004 4642	Side Plate-rear	39- 14
B004 4645	Guide Plate - Middle	37- 11
B004 4664	DC Motor - 28W	41- 19
B004 4664	DC Motor - 28W	39- 21
B004 4666	Bracket - Inverter Motor	39- 20
B004 4678	Bracket - Feed Motor	41- 18
B004 4690	Link Solenoid Ass'y	39- 15
B004 4697	Micro Switch Bracket	41- 11
B004 4701	Duplex Unit Cover	37- 24
B004 4710	Right Cover - Duplex Unit	37- 29
B004 4711	Right Cover - Duplex Unit	37- 5
B004 4763	Bracket - Entrance Sensor	39- 3
B004 4791	Sensor Bracket	41- 1
B004 4792	Middle Stay	41- 4
B004 4800	Main Board Bracket	39- 22
B004 4851	Decal - Jam Removal	37- 14
B004 4851	Decal - Jam Removal	75- 12
B004 4852	Decal - Duplex Jam	75- 13
B004 4852	Decal - Duplex Jam	37- 9
B004 4853	Upper Decal - Duplex Unit	75- 14
B004 4853	Upper Decal - Duplex Unit	37- 23
B004 5021	Safety & Power Switch Ass'y	49- 13
B004 5024	Safety Switch Ass'y	49- 8
B004 5120	IC - HG71C114FL	62- 1
B004 5130	PFB Board	47- 42

Part No.	Description	Page and Index No.
B004 5140	Main Board - Duplex	39- 23
B004 5250	IC - CDIC RL5C481	62- 2
B004 5260	IC - VIPU_S KS5M9U1198CFP	62- 3
B004 5452	DC Harness - Front Upper	49- 25
B004 5453	Drawer Harness - Development	45- 25
B004 5454	Right Rear Harness	27- 2
B004 5455	Harness - Paper Size Sensor	47- 39
B004 5459	Exit Harness	33- 29
B004 5460	Main Harness - Duplex Unit	39- 25
B004 5461	Sensor Harness - Duplex Unit	39- 24
B004 5462	Sensor Harness	41- 3
B004 5466	Harness - Toner Overflow Sensor	27- 7
B004 5606	AC Switch Harness	49- 17
B004 5608	Main Harness - Fusing Unit (230V)	51- 4
B004 5609	Main Harness - Fusing Unit (120V)	51- 4
B004 5811	Bracket - High Voltage Supply	51- 8
B004 5812	Bracket - High Voltage Supply	51- 7
B004 5831	IOB Bracket	49- 19
B004 5842	Gasket - Duplex Unit	37- 4
B004 5843	Screw - Inner Cover	37- 12
B004 5866	Power Switch Bracket	49- 16
B004 5871	Expansion Box	57- 3
B004 5876	Rack Stay	57- 6
B004 5897	Connector Bracket	51- 11
B004 5898	Bracket - Power Supply Cord	51- 13
B004 7222	Css Cover	5- 9
B007 4491	Paper Sensor	5- 5
B007 5465	Harness - Paper Feed	47- 38
G011 3305	Gear - 16T	9- 13
G012 3897	Film-toner End Sensor Harness	33- 26
G012 3897	Film - Toner End Sensor Harness	29- 23
G020 1189	Fly Wheel	43- 12
G020 1332	Hinge - Front Cover	3- 5
G020 1917	Decal - LD	75- 3
G020 1920	Decal - Laser Diode	75- 16

Part No.	Description	Page and Index No.
G020 1966	Cylindrical Lens	7- 16
G020 1968	F Theta Mirror	7- 26
G020 1969	BTL Lens	7- 23
G020 2620	Push Switch - Paper Size	47- 44
G020 5626	Push Switch	53- 17
G029 1980	Decal - LD	75- 15
G029 1980	Decal - LD	7- 6
G034 1071	Bracket - Micro Switch	49- 6
G034 1250	Cover - Upper	5- 12
G034 1253	Cover - Small - Upper Right	5- 20
G034 1373	Inner Cover - Right	27- 6
G034 1383	Decal - Left - Adonis-p	75- 17
G034 1384	Decal - Paper Jam	75- 18
G034 1384	Decal - Paper Jam	5- 34
G034 1413	Bracket - Operation Sub Unit	5- 11
G034 2987	Socket	17- 28
G034 2993	Flanged Hexagonal Head Bolt - M3x6	57- 8
G034 2993	Flanged Hexagonal Head Bolt - M3x6	5- 19
G034 2993	Flanged Hexagonal Head Bolt - M3x6	31- 1
G034 3811	Front Decal - Transfer Unit	27- 30
G034 3811	Decal - Transfer Unit - Front	75- 19
G034 3812	Rear Decal - Transfer Unit	27- 31
G034 3812	Decal - Transfer Unit - Rear	75- 20
G034 3935	Shaft - Trnsfer Unit Stopper	25- 14
G034 4201	Stopper - Fusing Unit	53- 15
G034 4231	Flanged Hexagonal Head Bolt - M3x8	5- 4
G034 4497	Holder - Sensor Harness	5- 10
G035 1382	Decal - Postscript	3- 3
G035 1382	Decal - Postscript	75- 21
G035 3900	Case - Transfer Unit - Adonis	25- 12
G035 5411	Harness - Bank - Junction	47- 41
G035 5521	Harness - DC - Joint Unit	49- 7
G056 5901	MASK ROM - PCL	71- 1
G070 5793	IC - ASIC-CELL04	71- 3
G334 5476	Power Source Harness	57- 19

Part No.	Description	Page and Index No.
G334 5477	HDD Harness - 40P	57- 18
G334 5861	HDD Bracket	57- 17
G523 5837	Cushion - HDD Bracket	57- 14
H516 4153	Decal - Laser (EU/ASIA)	75- 22

Part No.	Description	Page and Index No.
N803 6701	Flash Memory Card - 4MB	77- 3

Part No.	Description	Page and Index No.
AA00 0204	Decal - Right Lower Cover	3- 31
AA00 0204	Decal - Right Lower Cover	75- 6
AA00 1389	Large Decal - Energy Star	75- 7
AA00 1389	Large Decal - Energy Star	3- 4
AA00 1392	Decal - A1	75- 8
AA00 1392	Decal - A1	3- 22
AA00 1393	Decal - A2	75- 9
AA00 1393	Decal - A2	15- 23
AA00 3007	Decal- Paper Set Direction	17- 27
AA00 3007	Decal - Paper Set Direction	75- 10
AA01 2102	Development Filter	29- 7
AA04 3416	Timing Belt - 40S3M192	3- 15
AA04 3443	Timing Belt - S2M 140	39- 17
AA04 3443	Timing Belt - S2M 140	41- 16
AA04 3444	Timing Belt - S2M 350	41- 8
AA04 3445	Timing Belt - S3M-360	47- 6
AA04 3446	Timing Belt - S3M-312	47- 16
AA04 3553	Timing Belt - B60S2M316	43- 13
AA04 3554	Timing Belt - B60S3M129	47- 4
AA04 3555	Timing Belt - S2M234	33- 18
AA04 3569	Timing Belt - B50S3M228	45- 19
AA04 3570	Timing Belt - B60S2M240	45- 6
AA04 3571	Timing Belt - S3M - 180	43- 2
AA06 0691	Tension Spring	13- 13
AA06 0693	Tension Spring	13- 34
AA06 0694	Tension Spring	47- 8
AA06 0695	Tension Spring	47- 21
AA06 0709	Tension Spring	37- 22
AA06 0711	Pressure Spring	25- 15
AA06 0712	Torsion Spring	25- 26
AA06 0713	Tension Spring	49- 14
AA06 0716	Tension Spring	33- 24
AA06 0839	Pressure Spring - Driven	39- 6
AA06 0839	Pressure Spring - Driven	37- 28
AA06 0840	Pressure Spring - 29n	31- 32



Part No.	Description	Page and Index No.
AA06 0855	Return Spring	35- 13
AA06 0879	Tension Spring	31- 10
AA06 0908	Release Spring	13- 38
AA06 2299	Pressure Spring	23- 15
AA06 2300	Tension Spring	23- 14
AA06 2304	Pressure Spring	15- 6
AA06 2305	Tension Spring	15- 22
AA06 2310	Pressure Spring	23- 6
AA06 2312	Pressurespring	33- 10
AA06 2313	Gate Pawl Spring 1.5n	33- 19
AA06 2316	Tension Spring - Shutter	21- 36
AA06 2317	Tension Spring	45- 3
AA06 3303	Pressure Spring	37- 16
AA06 3304	Terminal Spring	15- 31
AA06 3305	Torsion Spring	25- 17
AA06 3371	Spring	45- 17
AA06 3499	Pressure Spring	11- 5
AA06 3563	Spring	3- 27
AA06 3564	Tension Spring	3- 35
AA06 3567	Tension Spring	11- 29
AA06 3568	Pressure Spring	11- 26
AA06 3569	Spring	11- 36
AA06 3570	Tension Spring	31- 36
AA06 3623	Pressure Spring	19- 8
AA06 3646	Pressure Spring - PCU Stopper	21- 34
AA06 3648	Pressure Spring	23- 12
AA06 3854	Pressure Spring	33- 9
AA06 3855	Spring - 3.5n	27- 14
AA06 6152	Tension Spring	39- 2
AA06 6335	Torsion Spring	41- 13
AA06 6574	Torsion Spring	9- 9
AA06 6575	Torsion Spring	27- 26
AA06 6576	Torsion Spring	27- 28
AA06 6577	Torsion Spring	15- 8
AA08 0034	Bushing - 4x5x7	37- 17

Part No.	Description	Page and Index No.
AA08 0227	Bushing - M4	37- 27
AA08 0227	Bushing - M4	39- 7
AA08 0229	Front Busing - M6	15- 5
AA08 0230	Rear Busing - M6	15- 33
AA08 0234	Bushing - 12x18x6	29- 13
AA08 0246	Bushing - Bias Roller	25- 30
AA08 0254	Bushing - M4	3- 28
AA08 2054	Bushing - M4	25- 32
AA08 2058	Bushing - 6x10x9mm	33- 16
AA08 2070	Bushing - 8x16x7	13- 11
AA08 2070	Bushing - 8x16x7	9- 8
AA08 2072	Bushing - M6	13- 24
AA08 2073	Roller Busing	31- 35
AA08 2074	Bushing - M8	39- 11
AA08 2075	Bushing - M6	41- 10
AA08 2079	Bushing - 6x8x5.8	27- 11
AA08 2080	Bushing - M8	15- 3
AA08 3010	Clutch Roller - 6x14x10	11- 30
AA14 0140	Screw - M3X4.5	31- 39
AA14 0655	Shaft - Paper Feed	13- 21
AA14 0656	Shaft - Gear	13- 28
AA14 0660	Feed Shaft	11- 21
AA14 0666	Shaft - Hook	27- 27
AA14 3219	Stepped Screw	29- 9
AA14 3301	Stepped Screw - M3x4	51- 3
AA14 3432	Stepped Screw - M3	45- 26
AA14 3461	Stepped Screw - M2.5	49- 5
AA14 3461	Stepped Screw - M2.5	41- 12
AA14 3499	Stepped Screw	57- 16
AA14 3512	Stepped Screw - M2.5	49- 12
AA14 3520	Shoulder Screw - M3	31- 4
AA14 5810	Slide Shaft	19- 4
AA14 9291	Pin - Link	15- 10
AA14 9515	Gear Shaft	47- 32
AA14 9638	Shaft - Fusing Clutch	43- 9

Part No.	Description	Page and Index No.
AA15 0401	Seal - 70x20	25- 16
AA15 0671	Shield - Collection Coil	21- 21
AA15 0684	Shield Plate	53- 5
AA15 0685	Seal - 215x10	5- 18
AA15 2283	Ring - M12	29- 27
AA15 3053	Sponge - 317x5x5	29- 21
AA15 3054	Sponge - 17x7x5	29- 19
AA15 3062	Sponge - M46	29- 16
AA15 3077	Shield Case - Development	29- 20
AA15 3083	Seal - Toner Supply Unit Cover	19- 13
AA15 3390	Sponge - 202x3.5x4	5- 22
AA15 3391	Frame Seal - Rear Right	27- 3
AA15 3392	Sponge - 24x6x5	27- 32
AA15 3393	Frame Seal - Rear Vertical	27- 1
AA15 3442	Shield - Stay - PCU	15- 19
AA15 3443	Right Mylar - Development Unit	29- 32
AA16 1125	Rubber Cushion	57- 15
AA16 1126	Exchange Pawl Cushion	37- 19
AA16 1628	Link Cushion - 10x5x2	35- 16
AA16 2046	Cushion - 347x10x5	39- 5
AB01 0106	Gear - 24Z	13- 36
AB01 0107	Gear - 23Z	13- 37
AB01 1088	Gear - 30Z	41- 15
AB01 1188	Gear - 21Z	13- 7
AB01 1189	Gear - 18Z	13- 10
AB01 1190	Gear - 25Z	25- 38
AB01 1377	Gear - 14Z	21- 10
AB01 1378	Gear - 19Z	21- 15
AB01 1379	Gear - 19Z	21- 31
AB01 1380	Cam - Cleaning Blade	21- 30
AB01 1386	Development Sleeve Gear	29- 8
AB01 1387	Gear - 23Z	11- 23
AB01 1388	Gear - Z16	11- 8
AB01 1389	Gear - 20Z	11- 7
AB01 1390	Gear - 27Z	11- 34

Part No.	Description	Page and Index No.
AB01 3485	Gear - 20Z	15- 2
AB01 3882	Gear - 40Z	31- 19
AB01 4038	Gear - 22Z	47- 13
AB01 4039	Gear - 31Z	47- 36
AB01 4040	Gear - 29Z	47- 37
AB01 4046	Gear - 25Z	31- 28
AB01 4049	Gear - 24Z	33- 22
AB01 4051	Gear - 16Z	15- 4
AB01 4060	Gear - 21Z	29- 12
AB01 4061	Gear - 13Z	29- 11
AB01 4062	Gear - 17Z/25Z	29- 14
AB01 4090	Gear - 18Z	13- 4
AB01 4159	Gear - 49Z	47- 23
AB01 4160	Idler Gear - Resistration	47- 18
AB01 4161	Reverse Roller Gear	39- 16
AB01 4162	Gear - 46Z	39- 19
AB01 4164	Gear - 28T	47- 33
AB01 4189	Gear - 27Z	25- 23
AB01 4219	Gear - 24Z	47- 15
AB01 4221	Gear - 34Z	43- 10
AB01 4222	Gear - 33Z/30T	43- 14
AB01 4223	Gear - 30Z	43- 15
AB01 7454	Gear - 24Z/30Z	11- 32
AB01 7458	Gear Pulley - 18Z/22T	35- 4
AB03 0474	Pulley - 24T	41- 9
AB03 0561	Timing Pulley - 31Z/20T	47- 17
AB03 0562	Timing Pulley - 31Z/20T	47- 10
AB03 0564	Pulley - M17	3- 17
AB03 0566	Timing Pulley - 20T	47- 34
AB03 0567	Timing Pulley - 18T	47- 22
AB03 0568	Pulley - 23T	33- 17
AB03 0584	Timing Pulley - 15T	3- 16
AB03 0590	Pulley - M17	47- 28
AB03 0625	Timing Pulley - 20Z	47- 7
AB03 0634	Pulley	47- 12

Part No.	Description	Page and Index No.
AB03 0669	Timing Pulley - Resistration	47- 3
AB03 0670	Gear - 24Z	39- 18
AB03 0671	Gear Pulley - Transport	41- 17
AB03 0672	Idlerpulley	35- 3
AB03 0714	Timing Pulley - 32Z/52T	45- 5
AB03 0715	Timing Pulley - Transfer Unit	45- 1
AB03 0716	Gear - 32Z/29T	43- 1
AB03 0717	Gear - 30Z/18T	43- 4
AC01 5024	Shield Glass - Polygon Motor	7- 17
AC01 5025	Shield Glass	7- 9
AC03 0115	Mirror	7- 20
AD01 5020	Drum Shaft	45- 14
AD02 1127	Receptacle	15- 30
AD02 5021	Pick-off Pawl	23- 7
AD02 7006	Charge Roller	23- 23
AD03 8078	Paddle	29- 28
AD04 3050	Toner Collection Coil	21- 8
AD04 4000	Toner Collection Mylar	21- 13
AD04 7023	Cleaning Entrance Seal	21- 26
AE01 1064	Hot Roller - MM39.8 - T0.4	31- 18
AE02 0108	Pressure Roller	31- 24
AE03 0047	Ball Bearing - 30x42x7	31- 17
AE03 0048	Ball Bearing - 8x22x7	31- 23
AE04 2039	Fusing Cleaning Roller	31- 34
AE04 4030	Hot Rollerstripper	31- 11
AF01 3006	Bottom Plate Pad	17- 3
AF01 3016	Bottom Plate Pad	11- 6
AF01 6166	Front Side Fence	17- 5
AF01 6167	Rear Side Fence	17- 10
AF01 7026	End Fence	17- 15
AF02 0404	Transport Roller	13- 17
AF02 0409	Driven Roller	3- 30
AF02 0410	Registration Roller	15- 20
AF02 0509	Reverse Roller - Duplex	39- 13
AF02 0510	Exit Transport Roller	41- 7

Part No.	Description	Page and Index No.
AF02 0511	Reverse Roller - Driven	37- 26
AF02 0511	Reverse Roller - Driven	39- 8
AF02 0512	Driven Roller - Duplex	37- 18
AF02 0513	Transport Roller	41- 5
AF02 0514	Exit Roller	33- 21
AF02 0515	Transport Roller	33- 15
AF02 0516	Driven Roller	27- 12
AF02 1059	Driven Registration Roller	15- 21
AF02 5036	Duplex Junction Gate	37- 21
AF03 0034	Pick-up Roller	13- 6
AF03 0036	Pick Up Roller	11- 22
AF03 1035	Feed Roller	13- 9
AF03 1036	Feed Roller	11- 40
AF03 2035	Separation Roller	13- 29
AF03 2036	Separation Roller	11- 2
AF04 0031	Driven Roller	11- 18
AF04 0559	Driven Roller - M9	9- 23
AF04 0571	Guide Roller	27- 16
AF04 0571	Guide Roller	35- 14
AF04 0573	Pressure Roller	33- 6
AF04 0574	Guideroller	35- 8
AF04 0575	Driven Roller	33- 2
AF04 0591	Pressure Roller - Entrance	33- 12
AG05 0085	Registration Roller Knob	15- 1
AG05 1137	Handle Lever	27- 5
AG07 0014	Magnet Catch	3- 21
AG07 1010	Magnet Catch	5- 26
AH01 0009	Rubber Pad - H5	55- 19
AW01 0048	Photosensor - GP2A28N1	41- 2
AW01 0048	Photosensor - GP2A28N1	15- 28
AW01 0049	Photo Reflection Sensor	39- 4
AW01 0049	Photo Reflection Sensor	33- 28
AW01 0090	Fusing Exit Sensor	27- 18
AW02 0056	Photointerruptor - EE-SX4235A-P1	13- 19
AW02 0056	Photointerruptor - EE-SX4235A-P1	47- 31

Part No.	Description	Page and Index No.
AW02 0056	Photointerruptor - Ee-sx4235a-p1	11- 19
AW02 0096	Photointerruptor	13- 15
AW02 0126	Photointerruptor	41- 21
AW10 0052	Thermistor - Center	31- 43
AW10 0053	Thermistor - Rear	31- 42
AW31 0006	Toner Overflow Sensor	25- 22
AX04 0078	DC Motor - 3W	47- 43
AX05 0168	DC Motor - Toner Bottle	43- 17
AX06 0180	Polygon Mirror Motor - DC 17W	7- 12
AX06 0207	Feed/Dev. Motor - DC 30W	45- 24
AX06 0228	Main Motor	43- 21
AX06 0229	Fusing Motor	43- 19
AX20 0138	Electrical Clutch - MICE-13	15- 32
AX20 0138	Electrical Clutch - Mice-13	47- 30
AX20 0140	Electrical Clutch	11- 31
AX20 0231	Magnetic Clutch - 0.5N M-28Z	47- 14
AX20 0233	Magnetic Clutch - Fusing Drive	43- 8
AX21 0081	Transfer Unit Clutch	43- 16
AX40 0137	Heater - 120V 9W	55- 2
AX40 0138	Heater - 230V 9W	55- 2
AX43 0072	Heater - 120V 550W 335mm	31- 21
AX43 0073	Heater - 230V 550W 335mm	31- 21
AX44 0149	Heater - 120V 650W 215mm	31- 20
AX44 0150	Heater - 230V 650W 215mm	31- 20
AX50 0046	Quenching Lamp	53- 12
AX64 0113	Fan Motor - 80mm - DC 2.4W	51- 1
AX64 0113	Fan Motor - 80mm - DC 2.4W	49- 1
AZ24 0070	Power Supply Unit - 120V	51- 14
AZ24 0071	Power Supply Unit - 230V	51- 14
AZ32 0086	High Voltage Supply - CBT	51- 6
GA08 0002	Bushing - 6mm	47- 19
GA08 0002	Bushing - 6mm	11- 35
GC03 0020	Sync. Detector Mirror	7- 27

Part No.	Description	Page and Index No.
0313 0060B	Philips Pan Head Screw - M3x6	41-108
0313 0060B	Philips Pan Head Screw - M3x6	15-107
0353 0040B	Screw - M3X4	33-102
0353 0040B	Screw - M3X4	11-105
0353 0060B	Philips Pan Head Screw - M3x6	15-103
0353 0060B	Philips Pan Head Screw - M3x6	17-101
0353 0080Z	Philips Trass Head Screw - M3x8	57-102
0353 0120B	Bind Screw - M3x12	39-101
0450 3006B	Tapping Screw - M3x6	33-106
0450 3006B	Tapping Screw - M3x6	35-102
0450 3006B	Tapping Screw - M3x6	5-101
0450 3006B	Tapping Screw - M3x6	23-105
0450 3008B	Tapping Screw - M3x8	27-102
0450 3008B	Tapping Screw - M3x8	17-104
0450 3008B	Tapping Screw - M3x8	25-103
0450 3008B	Tapping Screw - M3x8	47-107
0450 3008B	Tapping Screw - M3x8	29-104
0450 3008B	Tapping Screw - M3x8	19-102
0450 3008B	Tapping Screw - M3x8	33-103
0450 3008B	Tapping Screw - M3x8	13-101
0450 3008B	Tapping Screw - M3x8	21-102
0450 3008B	Tapping Screw - M3x8	11-106
0450 3008B	Tapping Screw - M3x8	15-104
0450 3008B	Tapping Screw - M3x8	23-103
0450 3008B	Tapping Screw - M3x8	45-108
0450 3008B	Tapping Screw - M3x8	3-106
0450 3008B	Tapping Screw - M3x8	7-101
0450 3008H	Tapping Screw - M3x8	5-104
0450 3008H	Tapping Screw M3x8	37-101
0450 3010B	Tapping Screw - M3x10	7-103
0450 3010B	Tapping Screw - M3x10	29-103
0450 3012B	Tapping Screw -3x12	3-102
0450 4008B	Tapping Screw - 4x8	17-103
0450 4010B	Tapping Screw - 4x10	5-105
0450 4010B	Tapping Screw - 4x10	23-101

Part No.	Description	Page and Index No.
0450 4035B	Philips Tapping Screw - M4x35	51-104
0451 3005W	Tapping Screw - 3x5	55-102
0451 3006B	Tapping Screw - M3x6	53-103
0451 3006B	Tapping Screw - M3x6	43-101
0451 3006B	Tapping Screw - M3x6	31-101
0451 3006B	Tapping Screw - M3x6	27-103
0451 3006B	Tapping Screw - M3x6	55-101
0451 3006B	Tapping Screw - M3x6	45-101
0451 3006B	Tapping Screw - M3x6	33-105
0451 3006B	Tapping Screw - M3x6	41-101
0451 3006B	Tapping Screw - M3x6	39-104
0451 3006B	Tapping Screw - M3x6	25-102
0451 3006B	Tapping Screw - M3x6	51-101
0451 3006B	Tapping Screw - M3x6	47-104
0451 3006B	Tapping Screw - M3x6	37-103
0451 3006B	Tapping Screw - M3x6	57-101
0451 3006B	Tapping Screw - M3x6	49-102
0451 3006B	Tapping Screw - M3x6	3-103
0451 3006B	Tapping Screw - M3x6	23-102
0451 3006B	Tapping Screw - M3x6	15-101
0451 3006B	Tapping Screw - M3x6	5-106
0451 3008B	Tapping Screw - M3x8	43-103
0451 3008B	Tapping Screw - M3x8	13-102
0451 3008B	Tapping Screw - M3x8	11-101
0451 3008B	Tapping Screw - M3x8	9-104
0451 3008B	Tapping Screw - M3x8	53-101
0451 3008B	Tapping Screw - M3x8	31-107
0451 3008B	Tapping Screw - M3x8	45-105
0451 3008B	Tapping Screw - M3x8	23-106
0451 3008B	Tapping Screw - M3x8	47-106
0451 3008H	Tapping Screw - M3x8	3-101
0451 3008H	Tapping Screw - M3x8	51-110
0451 3008H	Tapping Screw - M3x8	9-101
0451 3008H	Tapping Screw - M3x8	5-102
0451 3008H	Tapping Screw - M3x8	55-103

Part No.	Description	Page and Index No.
0451 3008H	Tapping Screw - M3x8	37-102
0451 3014B	Tapping Screw - M3-14	43-104
0451 3014B	Tapping Screw - M3-14	55-105
0451 4006B	Tapping Screw - 4x6	49-114
0451 4010B	Tapping Screw - 4x10	9-105
0451 4010B	Tapping Screw - 4x10	37-104
0451 4016B	Tapping Screw - M4-16	51-102
0452 3008B	Tapping Screw - M3x8	17-102
0452 3010B	Tapping Bind Screw - M3x10	19-101
0453 3006B	Tapping Screw - M3x6	31-108
0534 0050E	Headless Screw - M4x5	45-109
0633 0140G	Parallel Pin - 3x14	45-110
0720 0020E	Retaining Ring - M2	15-106
0720 0030E	Retaining Ring - M3	39-102
0720 0030E	Retaining Ring - M3	33-101
0720 0030E	Retaining Ring - M3	3-105
0720 0030E	Retaining Ring - M3	31-103
0720 0030E	Retaining Ring - M3	27-104
0720 0030E	Retaining Ring - M3	29-105
0720 0040E	Retaining Ring - M4	15-105
0720 0040E	Retaining Ring - M4	29-101
0720 0040E	Retaining Ring - M4	41-103
0720 0040E	Retaining Ring - M4	21-101
0720 0040E	Retaining Ring - M4	11-103
0720 0040E	Retaining Ring - M4	33-104
0720 0040E	Retaining Ring - M4	23-104
0720 0040E	Retaining Ring - M4	31-104
0720 0040E	Retaining Ring - M4	35-101
0720 0040E	Retaining Ring - M4	13-105
0720 0060E	Retaining Ring - M6	17-105
0720 0060E	Retaining Ring - M6	3-104
0720 0060E	Retaining Ring - M6	9-103
0720 0060E	Retaining Ring - M6	45-102
0720 0060E	Retaining Ring - M6	15-102
0720 0060E	Retaining Ring - M6	39-105

Part No.	Description	Page and Index No.
0720 0060E	Retaining Ring - M6	13-104
0720 0060E	Retaining Ring - M6	43-106
0720 0060E	Retaining Ring - M6	27-105
0720 0060E	Retaining Ring - M6	47-102
0725 0110E	C Ring - M11	29-102
0727 0080E	Retaining Ring - M8	45-107
0801 0149	Philips Pan Head Screw - M4x6	51-111
0801 0149	Philips Pan Head Screw - M4x6	31-102
0801 0149	Philips Pan Head Screw - M4x6	55-104
0802 5276	Tapping Screw With Washer - M3x6	43-102
0802 5276	Tapping Screw With Washer - M3x6	39-107
0802 5276	Tapping Screw With Washer - M3x6	53-102
0802 5276	Tapping Screw With Washer - M3x6	27-101
0802 5276	Tapping Screw With Washer - M3x6	41-102
0802 5279	Tapping Screw With Washer - M3x8	47-105
0802 5279	Tapping Screw With Washer - M3x8	45-111
0804 6075	Hexagonal Bolt - M3x8	31-105
0805 0089	Retaining Ring - M4	13-106
0805 0097	Ring Separator	29-106
0805 3480	Bushing - 6mm	11-102
0805 3480	Bushing - 6mm	13-107
0951 3006B	Philips Screw With Flat Washer - M3x6	25-101
0951 3008B	Philips Screw With Flat Washer - M3x8	7-102
0954 3012B	Screw - M3X12	31-106
1102 2391	Connector - HIF3FB-40PA-2.54DSA	71-101
1102 4201	Connector - 2P	61-101
1102 5305	Connector - 6P	61-102
1102 5305	Connector - 6P	62-101
1102 5306	Connector - 7P	61-103
1102 6019	Connector - FCN685J036-I/YA	71-102
1102 6245	Relay Connector - 2P	49-110
1102 6246	Relay Connector - 4P	49-107
1102 6259	Connector - 2P	49-111
1102 6260	Relay Connector - 3P	49-109
1102 6263	Connector - 6P	49-108

Part No.	Description	Page and Index No.
1102 6297	Connector - 4P	62-102
1102 6299	Connector - 6P	61-104
1102 6301	Connector - 8P	61-105
1102 6306	Connector - 13P	61-106
1102 6319	Connector - 12P	61-107
1102 6334	Connector - 3P	61-108
1102 6337	Connector - 6P	61-109
1102 6339	Connector - 8P	61-110
1102 6342	Connector - 11P	61-111
1102 6349	Connector	61-112
1102 6354	Connector	61-113
1102 6396	Connector - 1P	61-114
1102 6401	Connector - 26P	61-115
1102 6402	Connector - 2P	61-116
1102 6595	Connector - 11P	62-103
1102 6789	Connector - 100P	71-103
1102 6815	Connector - 53258-0410	71-104
1102 6896	Connector - 50P	61-117
1102 7196	Connector - 50P	62-104
1102 7389	Connector - FH12-50S-0.5SV	62-105
1102 7456	Connector - 176125-5	62-106
1102 7615	Connector - B8B-XH-A	71-105
1102 7700	Connector - 50P	61-118
1102 8153	Connector - FCN-568P068-G/05A-V4	71-106
1102 8189	DIMM Connector - 54534-1440	71-107
1102 8243	Connector - FH12-33S-0.5SV	62-107
1102 8272	Connector - TX25-100P-12ST-H1	62-108
1102 8355	Connector - DIMM - DMM2-SD72A-1131	71-108
1102 8373	Connector - RJHS-5381	71-109
1102 8567	Connector - 52775-0800	71-110
1104 0511	IC Socket - 8p - DICF-8CS-E	71-111
1104 0588	DIP Socket - 28p	71-112
1105 0165	Flat Cable Clamp	27-106
1105 0192	Locking Support	49-112
1105 0229	Clamp	43-105

Part No.	Description	Page and Index No.
1105 0267	Harness Clamp - YMC-10-0	11-104
1105 0267	Harness Clamp - YMC-10-0	47-103
1105 0283	Clamp	15-108
1105 0283	Clamp	13-103
1105 0283	Clamp	41-104
1105 0291	Harness Clamp - LWS-3S	41-105
1105 0310	Harness Clamp - LWS-1S	49-106
1105 0310	Harness Clamp - LWS-1S	51-105
1105 0328	Harness Clamp - ES-0505	41-106
1105 0329	Clamp - ES-0510	41-107
1105 0329	Clamp - ES-0510	45-103
1105 0349	Edge Saddle	9-102
1105 0349	Edge Saddle	45-104
1105 0437	Locking Support - Fgs-4s	49-113
1105 0460	Clamp	39-106
1105 0460	Clamp	45-106
1105 0487	Harness Clamp	5-103
1105 0488	Harness Clamp	57-103
1105 0488	Harness Clamp	51-103
1105 0511	Harness Clamp - LWS-0306ZC	47-101
1105 0511	Harness Clamp - LWS-0306ZC	33-107
1107 0472	Circuit Breaker - W28XQ1A 8A 25V	51-112
1107 0906	Fuse - 4A 125V	51-107
1107 0907	Fuse - 6.3A 125V	51-108
1107 0908	Fuse - 10A 125V	51-106
1107 0910	Fuse - 2A 125V	51-109
1107 0920	Fuse - 6.3A 250V	51-108
1107 0921	Fuse - 4A 250V	51-107
1107 0922	Fuse - 2A 250V	51-109
1204 1385	Push Switch	71-113
1204 1542	DIP Switch	71-114
1204 1543	DIP Switch	61-119
1204 2466	Micro Switch - V-16506-1C25	49-101
1204 2466	Micro Switch - V-16506-1C25	41-109
1204 2466	Micro Switch - V-16506-1C25	39-103

Part No.	Description	Page and Index No.
1204 2477	Locker Switch - AC250V 10A	49-105
1204 2521	Micro Switch	49-103
1204 2529	Switch - V-5F912DN	55-106
1204 2529	Switch - V-5F912DN	49-104
1400 0392	Transistor - DTC114EK	62-109
1400 0398	Transistor - 2SC2412K	62-110
1400 0398	Transistor - 2SC2412K	61-120
1400 0556	Transistor - DTB143EK	61-121
1400 0801	Transistor - DTC113ZUA	71-115
1401 1055	Fet - SI9934DY	71-116
1401 1137	FET - SI3443DV	71-117
1402 1142	Diode Array - DAN217	61-122
1402 1265	Diode - RB411D	71-118
1402 1322	Diode Array - DAN202U	61-123
1402 1336	Diode - 1SS355	62-111
1402 1336	Diode - 1SS355	61-124
1402 1345	Diode - UDZ3.6B	62-112
1402 1378	Diode - PTZ12A	61-125
1402 1380	Diode - PTZ 6.2A	61-126
1402 1380	Diode - PTZ 6.2A	62-113
1402 1444	Diode - RB051L-40	71-119
1402 1445	Diode - 1SS376	71-120
1402 1546	Diode - RB081	71-121
1402 1572	Diode - HZU3ALL	61-127
1403 0907	Diode - SML-310LT	71-122
1403 0907	Diode - SML-310LT	62-114
1403 0978	LED - SML-310DT	62-115
1404 0360	Thermistor - 103ht	61-128
1407 1535	IC - TD62308AP	61-129
1407 1596	TTLIC - SN74LS14NS	61-130
1407 1880	TTLIC - SN74LS04NS	61-131
1407 2187	TTLIC - SN74LS07NS	62-116
1407 2187	TTLIC - SN74LS07NS	61-132
1407 2218	TTLIC - SN74LS06NS	62-117
1407 2219	IC - TD62003AP	61-133

Part No.	Description	Page and Index No.
1407 3290	IC - TC74HC02AF	61-134
1407 4346	CMOS2 IC - TC7W08F	71-123
1407 4687	IC - TA8083F	61-135
1407 4771	IC - MC68334GFC16	62-118
1407 4827	IC - MBM29F400BC-70PFTN-SFK	62-119
1407 4876	CMOS IC - 74VHC244 TSSOP	62-120
1407 4879	CMOS IC - 74VHC74 TSSOP	62-121
1407 5085	IC - TC4066BF(N)	61-136
1407 5275	CMOS Logic - 74LVCHR16245A TSSOP	71-124
1407 5300	CMOS Logic - 74LVC16244A TSSOP	71-125
1407 5321	CMOS Logic - 74LVCH16374A TSSOP	71-126
1407 5322	IC - CMOS LOGIC SN74LVC161284DGG	71-127
1407 5334	IC - CMOS LOGIC 74LVC244A TSSOP	71-128
1407 5342	Clock Generator - ICS9248AF-128	71-129
1407 5364	IC - SN74AHCT244PW	71-130
1407 5441	IC - 74LVC00A TSOP	71-131
1407 5488	RAM - M48Z35AV-100OPC1	71-132
1407 5523	ROM - I2C SOP 3V	71-133
1407 5528	IC - SN74LVC126APW	71-134
1407 5529	IC - SN74LVC374ANS	71-135
1407 5602	IC - SN74AHCT174PW	71-136
1407 5665	IC - RM7000A-300T-REV1.3	71-137
1407 5666	CMOS IC - NC7WZ17P6	71-138
1407 5674	IC - LVDS DP83846AVHG(A4)	71-139
1408 0892	IC - RH5VL30A	62-122
1408 1041	IC - MB3793-42	62-123
1408 1065	Comparator - BA10339F	61-137
1408 1095	IC - BA10324AF	61-138
1408 1273	IC - RN5VD28A	71-140
1408 1295	IC - UPC2933T	62-124
1408 1398	Detector - RN5VD42A	71-141
1408 1470	Series Regulator - TA18M025F	62-125
1408 1514	IC - M62293FP	71-142
1408 1565	IC - RN5VD21A	71-143
1408 1614	IC - LTC1772CS6	71-144

Part No.	Description	Page and Index No.
1408 1639	IC - RN5VD14A	71-145
1503 0460	Oscillator - 32.768KHZ	62-126
1503 0842	Oscillator - 14.31818MHZ	71-146
1503 0865	Oscillator - 9.8304MHZ	61-139
1503 0936	Crystal Oscillator - 19.6608MHZ	62-127
1503 0937	Crystal Oscillator - 40.97MHZ	62-128
1503 0959	Crystal Oscillator - 25MHZ	71-147
1601 5477	Resistor - 330Ω ±5% 1W	61-140
1601 7752	Resistor Array - 10K Ω ±5%	62-129
1601 7752	Resistor Array - 10K Ω ±5%	61-141
1601 7752	Resistor Array - 10K Ω ±5%	71-148
1601 7759	Resistor Array - 100K Ω ±5% 0.06	62-130
1601 7791	Resistor Array - 1K Ω ±5%	62-131
1601 7791	Resistor Array - 1K Ω ±5%	61-142
1601 7796	Resistor Array - 2.2KO	62-132
1601 7814	Resistor - 3.3K Ω ±5%	62-133
1601 7867	Resistor - 33 Ω ±5% 1/16W	71-149
1601 7867	Resistor - 33 Ω ±5% 1/16W	62-134
1601 7869	Resistor - 1.2K Ω ±5% 1/16W	62-135
1601 7871	Resistor - 68Ω ±5% 1/16W	71-150
1601 7879	Resistor - 22 Ω ±5% 1/16W	71-151
1601 7899	Resistor Array - 56 Ω ±5% 1/16W	71-152
1601 7899	Resistor Array - 56 Ω ±5% 1/16W	62-136
1601 7915	Resistor Array - 33 Ω ±5% 1/16W	71-153
1601 7916	Resistor - 47Ω ±5% 1/16W	71-154
1601 7926	Resistor - 68 Ω ±5% 1/16W 8	71-155
1604 4631	Capacitor - 47μF ±20% 16V	71-156
1604 4632	Capacitor - 33μF ±20% 25V	71-157
1604 4683	Capacitor - 100μF±20% 10V	71-158
1604 4798	Capacitor - 100μF ±20% 6.3V	71-159
1604 4917	Capacitor - 220μF ±20% V	71-160
1604 4918	Capacitor - 150μF ±20% 6.3V	71-161
1605 0781	Capacitor - 5pF 50V	62-137
1605 0832	Capacitor - 8PF ±0.5pF 50V	71-162
1605 0989	Capacitor - 0.22μF +80 -20% 16V	62-138



Part No.	Description	Page and Index No.
1605 1010	Capacitor - 10 $\mu$ F $\pm$ 20% 10V	71-163
1605 1025	Capacitor - 1000pF $\pm$ 10% 2KV	71-164
1605 1124	Capacitor - 4.7 $\mu$ F +80 -20% 10V	71-165
1605 1132	Capacitor - 2.2 $\mu$ F +80-20% 16V	71-166
1605 1223	Capacitor - 0.68 $\mu$ F $\pm$ 10% 16V	62-139
1607 0987	Inductor - TLA-6T103	71-167
1607 1206	Filter - ACC2012L-250	71-168
1607 1223	Inductor - 47uh $\pm$ 20% 2.7A	71-169
1607 1225	Filter - ACC4516L-700	71-170
1607 1227	Inductor - SLF12575 150M4R7	71-171
1607 1228	Inductor - SLF7045-4R7M2R0	71-172
1610 1420	Resistor - 0.075 $\Omega$ $\pm$ 1% 0.5W	71-173
1610 1510	Resistor - 78.7K $\Omega$ $\pm$ 0.5% 1/16W	71-174
1610 1511	Resistor - 84.5K $\Omega$ $\pm$ 0.5% 1/16W	71-175
1630 2221	Resistor - 220 $\Omega$	61-143
1630 4100	Resistor - 10 $\Omega$ $\pm$ 5% 1/16W	61-144
1630 4102	Resistor - 1.0K $\Omega$ $\pm$ 5% 1/16W	61-145
1630 4102	Resistor - 1.0K $\Omega$ $\pm$ 5% 1/16W	62-140
1630 4103	Resistor - 10K $\Omega$ $\pm$ 5% 1/16W	62-141
1630 4103	Resistor - 10K $\Omega$ $\pm$ 5% 1/16W	61-146
1630 4104	Resistor - 100 $\Omega$ $\pm$ 5% 1/16W	61-147
1630 4104	Resistor - 100 $\Omega$ $\pm$ 5% 1/16W	62-142
1630 4105	Resistor - 1.0M $\Omega$ $\pm$ 5% 1/16W	62-143
1630 4105	Resistor - 1.0M $\Omega$ $\pm$ 5% 1/16W	61-148
1630 4106	Resistor - 10M $\Omega$ $\pm$ 5% 1/16W	62-144
1630 4161	Resistor - 160 $\Omega$ $\pm$ 5% 1/16W	61-149
1630 4204	Resistor - 200K $\Omega$ $\pm$ 5% 1/16W	61-150
1630 4222	Resistor - 2.2K $\Omega$ $\pm$ 5%	62-145
1630 4222	Resistor - 2.2K $\Omega$ $\pm$ 5%	61-151
1630 4223	Resistor - 22K $\Omega$ $\pm$ 5% 1/16W	61-152
1630 4223	Resistor - 22K $\Omega$ $\pm$ 5% 1/16W	62-146
1630 4330	Resistor - 33 $\Omega$ $\pm$ 5% 1/8W	62-147
1630 4334	Resistor - 330K $\Omega$ $\pm$ 5% 1/16W	62-148
1630 4470	Resistor - 470 $\Omega$ $\pm$ 5% 1/16W	62-149
1630 4472	Resistor - 4.7K $\Omega$ $\pm$ 5% 1/16W	61-153

Part No.	Description	Page and Index No.
1630 4472	Resistor - 4.7K $\Omega$ $\pm$ 5% 1/16W	62-150
1630 4473	Resistor - 47k $\Omega$ - $\pm$ 5% - 1/16W	62-151
1630 4560	Resistor - 56 $\Omega$ $\pm$ 5% 1/16W	62-152
1630 4562	Resistor - 5.6k $\Omega$ - $\pm$ 5% - 1/16W	61-154
1630 4681	Resistor - 680 $\Omega$ $\pm$ 5% 1/16W	61-155
1630 4751	Resistor - 50 $\Omega$ $\pm$ 5.00% 1/16W	62-153
1630 4821	Resistor - 820 $\Omega$ $\pm$ 5% 1/16W	61-156
1631 1000	Resistor - 100 $\Omega$ $\pm$ 1% 1/4W	61-157
1633 0000	Resistor - 0 $\Omega$ 1/10W	71-176
1634 0000	Resistor - 0 $\Omega$ 1/16W	71-177
1634 0000	Resistor - 0 $\Omega$ 1/16W	62-154
1634 1002	Resistor - 10 $\Omega$ $\pm$ 5% 1/16W	61-158
1634 1003	Resistor - 100K $\Omega$ $\pm$ 1% 1/16W	61-159
1634 1403	Resistor - 140k $\Omega$ $\pm$ 1% 1/16W	61-160
1634 2002	Resistor - 20K $\Omega$ $\pm$ 1% 1/16W	61-161
1634 2401	Resistor - 2.4K $\Omega$ $\pm$ 1% 1/16W	61-162
1634 2402	Resistor - 24K $\Omega$ $\pm$ 1% 1/16W	61-163
1634 4641	Resistor - 4.64K $\Omega$ $\pm$ 1% 1/16W	61-164
1634 5621	Resistor - 5.62K $\Omega$ $\pm$ 1% 1/16W	61-165
1640 2470	Capacitor - 47 $\mu$ F $\pm$ 20% 25V	61-166
1640 5101	Capacitor - 100 $\mu$ F $\pm$ 20% 50V	61-167
1642 5330	Capacitor - 33 $\mu$ F $\pm$ 20% 50V	61-168
1644 1470	Capacitor - 47 $\mu$ F $\pm$ 20% 16V	62-155
1650 2750	Resistor - 75 $\Omega$ $\pm$ 5% 1/4W	71-178
1650 3271	Resistor - 270 $\Omega$ $\pm$ 5% 1/8W	71-179
1650 3750	Resistor - 75 $\Omega$ $\pm$ 5% 1/8W	71-180
1650 4100	Resistor - 10 $\Omega$ $\pm$ 5% 1/10W	71-181
1650 4101	Resistor - 100 $\Omega$ $\pm$ 5%1/10W	71-182
1650 4102	Resistor - 1K $\Omega$ $\pm$ 5% 1/10W	71-183
1650 4103	Resistor - 10K $\Omega$ $\pm$ 5% 1/10W	71-184
1650 4109	Resistor - 1 $\Omega$ $\pm$ 5% 1/10W	71-185
1650 4121	Resistor - 120 $\Omega$ $\pm$ 5%1/10W	71-186
1650 4122	Chip Resistor - 1.2k $\Omega$ $\pm$ 5% 1/10W 1608	71-187
1650 4150	Resistor - 15 $\Omega$ $\pm$ 5% 1/10W	71-188
1650 4152	Resistor - 1.5K $\Omega$ $\pm$ 5% 1/10W	71-189

Part No.	Description	Page and Index No.
1650 4200	Resistor - 20Ω ±5% 1/10W	71-190
1650 4220	Chip Resistor - 22Ω ±5% 1/10W	71-191
1650 4222	Resistor - 2.2KΩ±5%1/10W	71-192
1650 4330	Chip Resistor - 33Ω ±5% 1/10W	71-193
1650 4470	Resistor - 47Ω±5%1/10W	71-194
1650 4472	Resistor - 4.7KΩ ±5% 1/10W	71-195
1650 4512	Resistor - 5.1KΩ±5%1/10W	71-196
1650 4560	Chip Resistor - 56Ω ±5% 1/10W	71-197
1650 4561	Resistor - 560Ω ±5% 1/10W	71-198
1650 4562	Resistor - 5.6KΩ ±5% 1/10W	71-199
1650 4680	Resistor - 68Ω±5%1/10W	71-200
1650 4683	Resistor - 68KΩ ±5% 1/10W	71-201
1650 4820	Resistor - 82Ω ±5% 1/10W	71-202
1653 4999	Resistor - 49.9Ω ±1% 1/8W	71-203
1653 5499	Resistor - 54.9Ω ±1% 1/8W	71-204
1654 9311	Resistor - 9.31KΩ ±1% 1/10W	71-205
1660 2101	Capacitor - 100pF - ±10% - 50V	71-206
1660 2101	Capacitor - 100pF - ±10% - 50V	61-169
1660 2101	Capacitor - 100pF - ±10% - 50V	62-156
1660 2150	Capacitor - 15pF ±5% 50V	71-207
1660 2150	Capacitor - 15pF ±5% 50V	62-157
1660 2220	Capacitor - 22pF ±20% 35V	62-158
1660 2221	Capacitor - 220pF +80-20% 50V	71-208
1660 2270	Capacitor - 27pF ±20% 35V	61-170
1660 2330	Capacitor - 33pF - ±5% - 50V	62-159
1660 2330	Capacitor - 33pF - ±5% - 50V	71-209
1660 2331	Capacitor - 330pF ±5% 50V	71-210
1660 2470	Capacitor - 47pF ±5% 50V	71-211
1660 2471	Capacitor - 470pF - ±5% - 50V	61-171
1660 2471	Capacitor - 470pF - ±5% - 50V	62-160
1660 2471	Capacitor - 470pF - ±5% - 50V	71-212
1660 2560	Capacitor - 56pF ±5% 50V	71-213
1660 2680	Capacitor - 68pF ±5% 50V	71-214
1660 4102	Capacitor - 1000pF ±10% 50V	61-172
1660 4102	Capacitor - 1000pF ±10% 50V	62-161

Part No.	Description	Page and Index No.
1660 4102	Capacitor - 1000pF ±10% 50V	71-215
1660 4103	Capacitor - 10000pF - ±10% - 50V	62-162
1660 4222	Capacitor - 2200pF - ±10% - 50V	71-216
1660 4472	Capacitor - 4700PF±10% 50V	61-173
1660 6103	Capacitor - 10000pF - +80%-20%50V	71-217
1660 6103	Capacitor - 10000pF - +80%-20%50V	61-174
1660 6103	Capacitor - 10000pF - +80%-20%50V	62-163
1660 8104	Capacitor - 0.1μF +80-20% 25V	61-175
1660 8104	Capacitor - 0.1μF +80-20% 25V	62-164
1660 8104	Capacitor - 0.1μF +80-20% 25V	71-218
1902 0042	RAM - 1M X8 70NS TSOP G2	62-165
1906 0017	Flash Memory - LH28F320BJ-PBTL70	71-219
1907 0012	SDRAM - 128M 2MX16X4 133MHz	71-220

Part No.	Description	Page and Index No.
5203 9501	Grease 501	77- 5
5206 2686	Snap Ring	15- 12
5206 2686	Snap Ring	53- 9
5206 2686	Snap Ring	29- 2
5206 2686	Snap Ring	3- 33
5206 2686	Snap Ring	13- 33
5216 4198	Stepped Screw - Guide Plate	11- 14
5447 2681	Snap Ring	13- 8
5447 2681	Snap Ring	27- 4
5447 2681	Snap Ring	35- 10
5447 2681	Snap Ring	37- 8
5447 2681	Snap Ring	11- 1
5447 2681	Snap Ring	23- 9

Part No.	Description	Page and Index No.